



UE SERIES ▪ MINIATURIZED SIZE, AUTOMOTIVE 105°C TYPE

KEY FEATURES



MINIATURIZED SIZE



HIGH VOLTAGE



AEC-Q 200



- **ALUMINUM ELECTROLYTIC CAPACITOR** ▪ Snap-In type
- Endurance: 105°C ▪ 3 000 hours, Useful life: 105°C ▪ 8 000 hours
- AEC-Q200 version available
- Especially for applications with demanding operating environment
- **Extremely stable dissipation factor and leakage current**



SPECIFICATIONS

Items		Performance Characteristics			
Operating Temperature Range		-40 ~ +105°C		-25 ~ +105°C	
Rated Voltage Range	V_R	160 ~ 450V DC		475 ~ 500V DC	
Surge Voltage	V_S	$(V_R \leq 315V) \cdot V_S = 1.15 \cdot V_R$		$(V_R > 315V) \cdot V_S = 1.10 \cdot V_R$	
Capacitance Range	C_R	120 ~ 4700μF		68 ~ 820μF	
Cap. Tolerance	ΔC	±20% (120Hz ▪ 20°C)			
Leakage Current (20°C ▪ V_R applied)	I_{LEAK}	$\leq 3 \cdot \sqrt{C_R \cdot V_R}$ ▪ After 5 minutes [I_{LEAK} (μA) ; C_R (μF) ; V_R (V)]			
Dissipation Factor % (20°C ▪ 120Hz)	$\tan\delta$	V_R (V DC)	160 ~ 450	475 ~ 500	
		$\tan\delta$	20	25	
Self-Resistance (20°C ▪ 120Hz)	ESR	Not to exceed the values shown in standard ratings			
Low Temperature Characteristics at 120Hz	Z ratio max.	V_R (V DC)	160 ~ 250	400 ~ 450	475 ~ 500
		Z-25°C/Z+20°C	4	8	8
		Z-40°C/Z+20°C	7	10	-

Lifetime Test					
Useful Life 105°C (V_R & I_R applied)	Test	8000 hours			
	$\Delta C/C_R$	$\leq \pm 20\%$ of initial measured value			
	$\tan\delta$	$\leq 200\%$ of initial specified value			
	I_{Leak}	\leq the initial specified value			
	Deviation Rate at Useful Life: 100 FIT = 0.01%/1000h with 60% confidence level ▪ parts show higher drift as test criteria				
Endurance 105°C (V_R & I_R applied)	Test	3000 hours			
	$\Delta C/C_R$	$\leq \pm 15\%$ of initial measured value			
	$\tan\delta$	$\leq 175\%$ of initial specified value			
	I_{Leak}	\leq the initial specified value			
Shelf Life 105°C ($V_R = 0$)	Test	1000 hours			
	$\Delta C/C_R$	$\leq \pm 15\%$ of initial measured value			
	$\tan\delta$	$\leq 175\%$ of initial specified value			
	I_{Leak}	\leq the initial specified value			
Before measurement: Restore capacitor to 20°C, apply V_R for 30 min according JIS-C-5101-4					
Vibration Resistance Test	Max. 10g force, f_{RANGE} 10Hz ... 55Hz, amplitude 0.75mm; X/Y/Z-axis each 2h; capacitor rigidly clamped by body to surface ▪ IEC 60068-2-6				



STANDARD RATINGS

V _R (V)	C _R (μF)	ø D (mm)	L (mm)	Typ. ESR +20°C - 120Hz (mΩ)	Max. ESR +20°C - 120Hz (mΩ)	I _R - Max. Ripple Current +105°C - 120Hz (mA rms)	CapXon Part Number
160	560	22	25	260	360	1600	UE561M160M250A□□□
	680	22	30	210	290	1870	UE681M160M300A□□□
	680	25	25	210	290	1720	UE681M160N250A□□□
	820	22	35	170	240	2140	UE821M160M350A□□□
	820	25	30	170	240	1920	UE821M160N300A□□□
	1000	22	40	140	200	2420	UE102M160M400A□□□
	1000	25	30	140	200	2070	UE102M160N300A□□□
	1000	30	25	140	200	1840	UE102M160O250A□□□
	1200	22	45	120	170	2690	UE122M160M450A□□□
	1200	25	35	120	170	2360	UE122M160N350A□□□
	1200	30	30	120	170	2000	UE122M160O300A□□□
	1500	22	55	93	130	3170	UE152M160M550A□□□
	1500	25	40	93	130	2670	UE152M160N400A□□□
	1500	30	30	93	130	2160	UE152M160O300A□□□
	1500	35	25	93	130	1770	UE152M160P250A□□□
	1800	22	60	79	110	3460	UE182M160M600A□□□
	1800	25	50	79	110	3180	UE182M160N500A□□□
	1800	30	35	79	110	2460	UE182M160O350A□□□
	1800	35	30	79	110	2130	UE182M160P300A□□□
	2200	25	55	65	90	3480	UE222M160N550A□□□
	2200	30	40	65	90	2770	UE222M160O400A□□□
	2200	35	35	65	90	2450	UE222M160P350A□□□
	2700	30	50	53	74	3320	UE272M160O500A□□□
2700	35	40	53	74	2730	UE272M160P400A□□□	
3300	30	55	43	60	3590	UE332M160O550A□□□	
3300	35	45	43	60	2960	UE332M160P450A□□□	
3900	35	50	36	51	3230	UE392M160P500A□□□	
4700	35	60	30	42	3720	UE472M160P600A□□□	
180	470	22	25	300	420	1530	UE471M180M250A□□□
	560	22	30	260	360	1750	UE561M180M300A□□□
	680	22	30	210	290	1870	UE681M180M300A□□□
	680	25	25	210	290	1700	UE681M180N250A□□□
	820	22	35	170	240	2130	UE821M180M350A□□□
	820	25	30	170	240	2000	UE821M180N300A□□□
	1000	22	40	140	200	2410	UE102M180M400A□□□
	1000	25	35	140	200	2290	UE102M180N350A□□□
	1000	30	25	140	200	1790	UE102M180O250A□□□
	1200	22	50	120	170	2850	UE122M180M500A□□□
	1200	25	40	120	170	2580	UE122M180N400A□□□
	1200	30	30	120	170	2130	UE122M180O300A□□□
	1200	35	25	120	170	1790	UE122M180P250A□□□
	1500	22	60	93	130	3320	UE152M180M600A□□□
	1500	25	45	93	130	2870	UE152M180N450A□□□
	1500	30	35	93	130	2440	UE152M180O350A□□□
1500	35	30	93	130	1910	UE152M180P300A□□□	

□□□ see description at end of standard ratings



STANDARD RATINGS

V _R (V)	C _R (μF)	ø D (mm)	L (mm)	Typ. ESR +20°C - 120Hz (mΩ)	Max. ESR +20°C - 120Hz (mΩ)	I _R - Max. Ripple Current +105°C - 120Hz (mA rms)	CapXon Part Number
180	1800	25	55	79	110	3360	UE182M180N550A□□□
	1800	30	40	79	110	2730	UE182M180O400A□□□
	1800	35	30	79	110	2090	UE182M180P300A□□□
	2200	30	45	65	90	3000	UE222M180O450A□□□
	2200	35	35	65	90	2380	UE222M180P350A□□□
	2700	30	55	53	74	3530	UE272M180O550A□□□
	2700	35	45	53	74	2990	UE272M180P450A□□□
	3300	35	50	43	60	3210	UE332M180P500A□□□
	3900	35	55	36	51	3450	UE392M180P550A□□□
200	470	22	25	300	420	1530	UE471M200M250A□□□
	560	22	30	260	360	1780	UE561M200M300A□□□
	560	25	25	260	360	1650	UE561M200N250A□□□
	680	22	35	210	290	2040	UE681M200M350A□□□
	680	25	30	210	290	1850	UE681M200N300A□□□
	820	22	40	170	240	2300	UE821M200M400A□□□
	820	25	30	170	240	1990	UE821M200N300A□□□
	820	30	25	170	240	1790	UE821M200O250A□□□
	1000	22	45	140	200	2580	UE102M200M450A□□□
	1000	25	35	140	200	2280	UE102M200N350A□□□
	1000	30	30	140	200	1940	UE102M200O300A□□□
	1200	22	50	120	170	2850	UE122M200M500A□□□
	1200	25	40	120	170	2560	UE122M200N400A□□□
	1200	30	30	120	170	2100	UE122M200O300A□□□
	1200	35	25	120	170	1750	UE122M200P250A□□□
	1500	25	50	93	130	3060	UE152M200N500A□□□
	1500	30	35	93	130	2410	UE152M200O350A□□□
	1500	35	30	93	130	2090	UE152M200P300A□□□
	1800	25	60	79	110	3520	UE182M200N600A□□□
	1800	30	45	79	110	2990	UE182M200O450A□□□
	1800	35	35	79	110	2410	UE182M200P350A□□□
	2200	30	50	65	90	3220	UE222M200O500A□□□
	2200	35	40	65	90	2660	UE222M200P400A□□□
	2700	30	60	53	74	3720	UE272M200O600A□□□
2700	35	45	53	74	2910	UE272M200P450A□□□	
3300	35	55	43	60	3430	UE332M200P550A□□□	
3900	35	60	36	51	3660	UE392M200P600A□□□	
220	390	22	25	360	510	1460	UE391M220M250A□□□
	470	22	30	300	420	1700	UE471M220M300A□□□
	560	22	35	260	360	1930	UE561M220M350A□□□
	560	25	25	260	360	1640	UE561M220N250A□□□
	680	22	40	210	290	2190	UE681M220M400A□□□
	680	25	30	210	290	1910	UE681M220N300A□□□
	820	22	45	170	240	2440	UE821M220M450A□□□
	820	25	35	170	240	2190	UE821M220N350A□□□
820	30	25	170	240	1740	UE821M220O250A□□□	

□□□ see description at end of standard ratings



STANDARD RATINGS

V _R (V)	C _R (µF)	ø D (mm)	L (mm)	Typ. ESR +20°C - 120Hz (mΩ)	Max. ESR +20°C - 120Hz (mΩ)	I _R - Max. Ripple Current +105°C - 120Hz (mA rms)	CapXon Part Number
220	1000	22	50	140	200	2720	UE102M220M500A□□□
	1000	25	40	140	200	2470	UE102M220N400A□□□
	1000	30	30	140	200	2060	UE102M220O300A□□□
	1000	35	25	140	200	1740	UE102M220P250A□□□
	1200	22	60	120	170	3130	UE122M220M600A□□□
	1200	25	45	120	170	2740	UE122M220N450A□□□
	1200	30	35	120	170	2360	UE122M220O350A□□□
	1200	35	30	120	170	2090	UE122M220P300A□□□
	1500	25	55	93	130	3220	UE152M220N550A□□□
	1500	30	40	93	130	2640	UE152M220O400A□□□
	1500	35	35	93	130	2220	UE152M220P350A□□□
	1800	30	45	79	110	2910	UE182M220O450A□□□
	1800	35	35	79	110	2340	UE182M220P350A□□□
	2200	30	55	65	90	3420	UE222M220O550A□□□
	2200	35	45	65	90	2920	UE222M220P450A□□□
	2700	35	50	53	74	3130	UE272M220P500A□□□
3300	35	60	43	60	2620	UE332M220P600A□□□	
250	330	22	25	430	600	1380	UE331M250M250A□□□
	390	22	30	360	510	1580	UE391M250M300A□□□
	470	22	30	300	420	1680	UE471M250M300A□□□
	470	25	25	300	420	1550	UE471M250N250A□□□
	560	22	35	260	360	1910	UE561M250M350A□□□
	560	25	30	260	360	1810	UE561M250N300A□□□
	680	22	40	210	290	2160	UE681M250M400A□□□
	680	25	35	210	290	2070	UE681M250N350A□□□
	680	30	25	210	290	1660	UE681M250O250A□□□
	820	22	50	170	240	2550	UE821M250M500A□□□
	820	25	40	170	240	2330	UE821M250N400A□□□
	820	30	30	170	240	1970	UE821M250O300A□□□
	820	35	25	170	240	1680	UE821M250P250A□□□
	1000	22	55	140	200	2820	UE102M250M550A□□□
	1000	25	45	140	200	2590	UE102M250N450A□□□
	1000	30	35	140	200	2260	UE102M250O350A□□□
	1000	35	30	140	200	1890	UE102M250P300A□□□
	1200	25	50	120	170	2860	UE122M250N500A□□□
	1200	30	40	120	170	2510	UE122M250O400A□□□
	1200	35	30	120	170	1940	UE122M250P300A□□□
	1500	30	45	93	130	2760	UE152M250O450A□□□
	1500	35	35	93	130	2220	UE152M250P350A□□□
	1800	30	50	79	110	3030	UE182M250O500A□□□
	1800	35	40	79	110	2490	UE182M250P400A□□□
2200	30	60	65	90	3490	UE222M250O600A□□□	
2200	35	50	65	90	3000	UE222M250P500A□□□	
2700	35	55	53	74	3230	UE272M250P550A□□□	
400	150	22	25	950	1330	UE151M400M250A□□□	

□□□ see description at end of standard ratings



STANDARD RATINGS

V _R (V)	C _R (µF)	ø D (mm)	L (mm)	Typ. ESR +20°C - 120Hz (mΩ)	Max. ESR +20°C - 120Hz (mΩ)	I _R - Max. Ripple Current +105°C - 120Hz (mA rms)	CapXon Part Number
400	180	22	30	790	1110	1190	UE181M400M300A□□□
	180	25	25	790	1110	1150	UE181M400N250A□□□
	220	22	30	640	900	1260	UE221M400M300A□□□
	220	22	35	640	900	1200	UE221M400M350A□□□
	220	25	25	640	900	1370	UE221M400N250A□□□
	220	25	30	640	900	1320	UE221M400N300A□□□
	270	22	35	530	740	1440	UE271M400M350A□□□
	270	22	40	530	740	1560	UE271M400M400A□□□
	270	25	30	530	740	1430	UE271M400N300A□□□
	270	30	25	530	740	1370	UE271M400O250A□□□
	330	22	45	430	600	1770	UE331M400M450A□□□
	330	25	35	430	600	1650	UE331M400N350A□□□
	330	30	25	430	600	1390	UE331M400O250A□□□
	330	30	30	430	600	1560	UE331M400O300A□□□
	390	22	50	360	510	1970	UE391M400M500A□□□
	390	25	40	360	510	1850	UE391M400N400A□□□
	390	30	30	360	510	1650	UE391M400O300A□□□
	390	35	25	360	510	1480	UE391M400P250A□□□
	470	22	55	300	420	2110	UE471M400M550A□□□
	470	22	60	300	420	2200	UE471M400M600A□□□
	470	25	45	300	420	2070	UE471M400N450A□□□
	470	30	35	300	420	1890	UE471M400O350A□□□
	470	35	30	300	420	1690	UE471M400P300A□□□
	560	25	55	260	360	2320	UE561M400N550A□□□
	560	30	40	260	360	2120	UE561M400O400A□□□
	560	35	30	260	360	1750	UE561M400P300A□□□
	680	25	60	210	290	2560	UE681M400N600A□□□
	680	30	45	210	290	2350	UE681M400O450A□□□
	680	35	35	210	290	2000	UE681M400P350A□□□
	820	30	50	170	240	2530	UE821M400O500A□□□
	820	30	55	170	240	2660	UE821M400O550A□□□
	820	35	40	170	240	2210	UE821M400P400A□□□
820	35	45	170	240	2480	UE821M400P450A□□□	
1000	30	60	140	200	2910	UE102M400O600A□□□	
1000	35	50	140	200	2700	UE102M400P500A□□□	
1200	35	55	120	170	2850	UE122M400P550A□□□	
1200	35	60	120	170	2990	UE122M400P600A□□□	
420	120	22	25	1190	1660	950	UE121M420M250A□□□
	150	22	25	950	1330	1020	UE151M420M250A□□□
	150	22	30	950	1330	1100	UE151M420M300A□□□
	180	22	30	790	1110	1200	UE181M420M300A□□□
	180	25	25	790	1110	1160	UE181M420N250A□□□
	220	22	35	640	900	1380	UE221M420M350A□□□
	220	25	30	640	900	1350	UE221M420N300A□□□
270	22	40	530	740	1570	UE271M420M400A□□□	

□□□ see description at end of standard ratings



STANDARD RATINGS

V _R (V)	C _R (µF)	ø D (mm)	L (mm)	Typ. ESR +20°C - 120Hz (mΩ)	Max. ESR +20°C - 120Hz (mΩ)	I _R - Max. Ripple Current +105°C - 120Hz (mA rms)	CapXon Part Number
420	270	25	35	530	740	1550	UE271M420N350A□□□
	270	30	25	530	740	1360	UE271M420O250A□□□
	330	22	45	430	600	1720	UE331M420M450A□□□
	330	22	50	430	600	1850	UE331M420M500A□□□
	330	25	35	430	600	1610	UE331M420N350A□□□
	330	25	40	430	600	1760	UE331M420N400A□□□
	330	30	30	430	600	1590	UE331M420O300A□□□
	330	35	25	430	600	1450	UE331M420P250A□□□
	390	22	55	360	510	2000	UE391M420M550A□□□
	390	25	40	360	510	1800	UE391M420N400A□□□
	390	25	45	360	510	1960	UE391M420N450A□□□
	390	30	30	360	510	1610	UE391M420O300A□□□
	390	30	35	360	510	1820	UE391M420O350A□□□
	390	35	25	360	510	1450	UE391M420P250A□□□
	390	35	30	360	510	1660	UE391M420P300A□□□
	470	22	60	300	420	2190	UE471M420M600A□□□
	470	25	50	300	420	2180	UE471M420N500A□□□
	470	30	35	300	420	1850	UE471M420O350A□□□
	470	30	40	300	420	2040	UE471M420O400A□□□
	470	35	30	300	420	1720	UE471M420P300A□□□
	560	25	55	260	360	2320	UE561M420N550A□□□
	560	25	60	260	360	2430	UE561M420N600A□□□
	560	30	40	260	360	2070	UE561M420O400A□□□
	560	30	45	260	360	2270	UE561M420O450A□□□
	560	35	35	260	360	1970	UE561M420P350A□□□
	680	30	45	210	290	2290	UE681M420O450A□□□
	680	30	50	210	290	2500	UE681M420O500A□□□
	680	35	40	210	290	2220	UE681M420P400A□□□
	820	30	55	170	240	2680	UE821M420O550A□□□
	820	30	60	170	240	2790	UE821M420O600A□□□
820	35	45	170	240	2450	UE821M420P450A□□□	
1000	35	50	140	200	2640	UE102M420P500A□□□	
1000	35	55	140	200	2760	UE102M420P550A□□□	
1200	35	60	120	170	3030	UE122M420P600A□□□	
450	120	22	25	1190	1660	950	UE121M450M250A□□□
	150	22	30	950	1330	1120	UE151M450M300A□□□
	150	25	25	950	1330	1080	UE151M450N250A□□□
	180	22	30	790	1110	1170	UE181M450M300A□□□
	180	22	35	790	1110	1140	UE181M450M350A□□□
	180	25	25	790	1110	1270	UE181M450N250A□□□
	180	25	30	790	1110	1240	UE181M450N300A□□□
	220	22	35	640	900	1340	UE221M450M350A□□□
	220	22	40	640	900	1450	UE221M450M400A□□□
	220	25	30	640	900	1340	UE221M450N300A□□□
	220	30	25	640	900	1290	UE221M450O250A□□□

□□□ see description at end of standard ratings



STANDARD RATINGS

V _R (V)	C _R (μF)	ø D (mm)	L (mm)	Typ. ESR +20°C - 120Hz (mΩ)	Max. ESR +20°C - 120Hz (mΩ)	I _R - Max. Ripple Current +105°C - 120Hz (mA rms)	CapXon Part Number
450	270	22	40	530	740	1530	UE271M450M400A□□□
	270	22	45	530	740	1540	UE271M450M450A□□□
	270	25	35	530	740	1540	UE271M450N350A□□□
	270	30	25	530	740	1340	UE271M450O250A□□□
	270	30	30	530	740	1490	UE271M450O300A□□□
	330	22	50	430	600	1810	UE331M450M500A□□□
	330	22	55	430	600	1880	UE331M450M550A□□□
	330	25	40	430	600	1720	UE331M450N400A□□□
	330	25	45	430	600	1850	UE331M450N450A□□□
	330	30	30	430	600	1580	UE331M450O300A□□□
	330	35	25	430	600	1420	UE331M450P250A□□□
	390	22	55	360	510	1980	UE391M450M550A□□□
	390	22	60	360	510	2070	UE391M450M600A□□□
	390	25	45	360	510	1910	UE391M450N450A□□□
	390	25	50	360	510	2040	UE391M450N500A□□□
	390	30	35	360	510	1800	UE391M450O350A□□□
	390	35	30	360	510	1680	UE391M450P300A□□□
	470	25	55	300	420	2210	UE471M450N550A□□□
	470	30	40	300	420	2020	UE471M450O400A□□□
	470	35	30	300	420	1690	UE471M450P300A□□□
	470	35	35	300	420	1920	UE471M450P350A□□□
	560	25	60	260	360	2410	UE561M450N600A□□□
	560	30	45	260	360	2240	UE561M450O450A□□□
	560	35	35	260	360	1920	UE561M450P350A□□□
	560	35	40	260	360	2150	UE561M450P400A□□□
	680	30	50	210	290	2410	UE681M450O500A□□□
	680	30	55	210	290	2540	UE681M450O550A□□□
	680	35	40	210	290	2160	UE681M450P400A□□□
	680	35	45	210	290	2380	UE681M450P450A□□□
	820	30	60	170	240	2770	UE821M450O600A□□□
820	35	45	170	240	2360	UE821M450P450A□□□	
820	35	50	170	240	2590	UE821M450P500A□□□	
1000	35	55	140	200	2780	UE102M450P550A□□□	
1000	35	60	140	200	2900	UE102M450P600A□□□	
475	82	22	25	2310	3230	790	UE820M475M250A□□□
	100	22	30	1890	2650	900	UE101M475M300A□□□
	100	25	25	1890	2650	900	UE101M475N250A□□□
	120	22	30	1580	2210	970	UE121M475M300A□□□
	120	25	30	1580	2210	1020	UE121M475N300A□□□
	150	22	35	1260	1770	1130	UE151M475M350A□□□
	150	25	30	1260	1770	1120	UE151M475N300A□□□
	150	30	25	1260	1770	1110	UE151M475O250A□□□
	180	22	40	1050	1470	1270	UE181M475M400A□□□
	180	25	35	1050	1470	1270	UE181M475N350A□□□
180	30	30	1050	1470	1270	UE181M475O300A□□□	

□□□ see description at end of standard ratings



STANDARD RATINGS

V _R (V)	C _R (µF)	ø D (mm)	L (mm)	Typ. ESR +20°C - 120Hz (mΩ)	Max. ESR +20°C - 120Hz (mΩ)	I _R - Max. Ripple Current +105°C - 120Hz (mA rms)	CapXon Part Number
475	220	22	45	860	1210	1440	UE221M475M450A□□□
	220	25	40	860	1210	1440	UE221M475N400A□□□
	220	30	30	860	1210	1370	UE221M475O300A□□□
	220	35	25	860	1210	1270	UE221M475P250A□□□
	270	22	55	700	980	1680	UE271M475M550A□□□
	270	25	45	700	980	1630	UE271M475N450A□□□
	270	30	35	700	980	1560	UE271M475O350A□□□
	270	35	30	700	980	1510	UE271M475P300A□□□
	330	25	50	570	800	1830	UE331M475N500A□□□
	330	30	40	570	800	1770	UE331M475O400A□□□
	330	35	30	570	800	1570	UE331M475P300A□□□
	390	25	60	490	680	2080	UE391M475N600A□□□
	390	30	40	490	680	1850	UE391M475O400A□□□
	390	35	35	490	680	1790	UE391M475P350A□□□
	470	30	50	400	560	2170	UE471M475O500A□□□
	470	35	40	400	560	2000	UE471M475P400A□□□
	560	30	55	340	470	2380	UE561M475O550A□□□
	560	35	45	340	470	2220	UE561M475P450A□□□
680	35	50	280	390	2405	UE681M475P500A□□□	
820	35	60	230	320	2800	UE821M475P600A□□□	
500	68	22	25	2790	3900	730	UE680M500M250A□□□
	82	22	30	2310	3230	830	UE820M500M300A□□□
	100	22	30	1890	2650	910	UE101M500M300A□□□
	120	22	35	1580	2210	1030	UE121M500M350A□□□
	120	25	30	1580	2210	1030	UE121M500N300A□□□
	150	22	40	1260	1770	1180	UE151M500M400A□□□
	150	25	30	1260	1770	1120	UE151M500N300A□□□
	180	22	45	1050	1470	1330	UE181M500M450A□□□
	180	25	35	1050	1470	1280	UE181M500N350A□□□
	180	30	30	1050	1470	1280	UE181M500O300A□□□
	180	35	25	1050	1470	1200	UE181M500P250A□□□
	220	22	50	860	1210	1500	UE221M500M500A□□□
	220	25	40	860	1210	1450	UE221M500N400A□□□
	220	30	30	860	1210	1360	UE221M500O300A□□□
	220	35	30	860	1210	1420	UE221M500P300A□□□
	270	22	60	700	980	1730	UE271M500M600A□□□
	270	25	50	700	980	1700	UE271M500N500A□□□
	270	30	35	700	980	1560	UE271M500O350A□□□
	270	35	30	700	980	1500	UE271M500P300A□□□
	330	25	55	570	800	1900	UE331M500N550A□□□
	330	30	40	570	800	1760	UE331M500O400A□□□
330	35	35	570	800	1710	UE331M500P350A□□□	
390	30	45	490	680	1950	UE391M500O450A□□□	
390	35	40	490	680	1910	UE391M500P400A□□□	
470	30	55	400	560	2260	UE471M500O550A□□□	

□□□ see description at end of standard ratings

STANDARD RATINGS

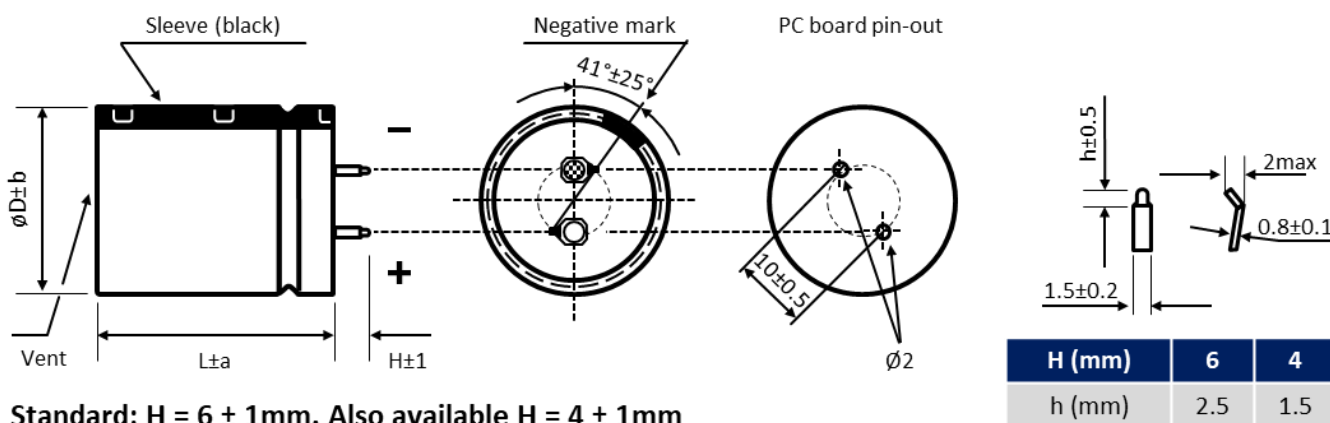
V_R (V)	C_R (μF)	ϕD (mm)	L (mm)	Typ. ESR +20°C - 120Hz (m Ω)	Max. ESR +20°C - 120Hz (m Ω)	I_R - Max. Ripple Current +105°C - 120Hz (mA rms)	CapXon Part Number
500	470	35	45	400	560	2130	UE471M500P450A□□□
	560	30	60	340	470	2470	UE561M500O600A□□□
	560	35	50	340	470	2330	UE561M500P500A□□□
	680	35	55	280	390	2560	UE681M500P550A□□□

□□□: Enter **P6** for standard type - 6mm pin length
 □□□: Enter **P6X** for standard type - 6mm pin length - AEC-Q200
 □□□: Enter **Z6** for 3-pin type - 6mm pin length
 □□□: Enter **Z6X** for 3-pin type - 6mm pin length - AEC-Q200
 □□□: Enter **Y6** for multi-pin type - 6mm pin length
 □□□: Enter **Y6X** for multi-pin type - 6mm pin length - AEC-Q200

□□□: Enter **P4** for standard type - 4mm pin length
 □□□: Enter **P4X** for standard type - 4mm pin length - AEC-Q200
 □□□: Enter **Z4** for 3-pin type - 4mm pin length
 □□□: Enter **Z4X** for 3-pin type - 4mm pin length - AEC-Q200
 □□□: Enter **Y4** for multi-pin type - 4mm pin length
 □□□: Enter **Y4X** for multi-pin type - 4mm pin length - AEC-Q200

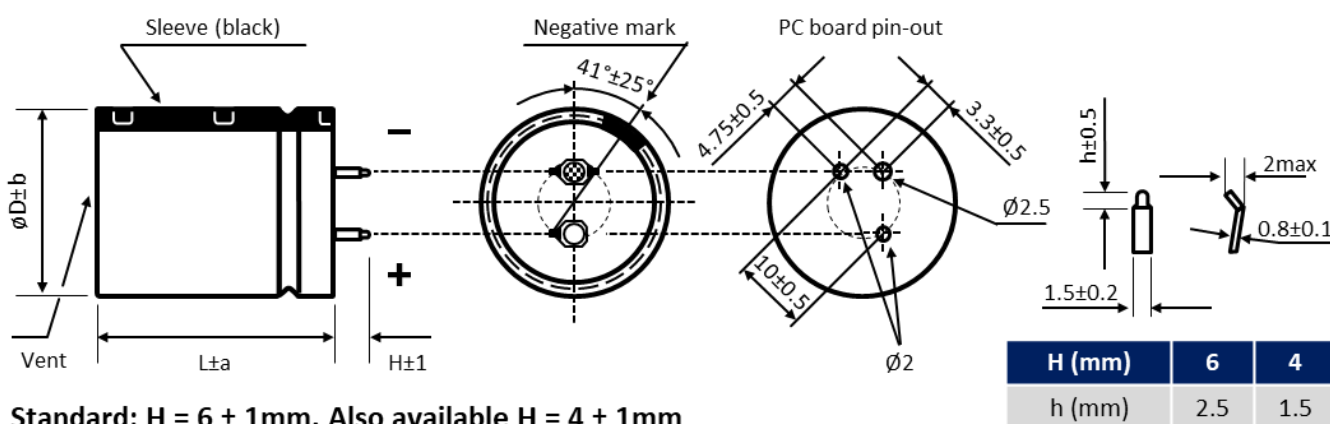
DIMENSIONS - All dimensions in mm

2-pin version - Standard type



Standard: $H = 6 \pm 1$ mm. Also available $H = 4 \pm 1$ mm

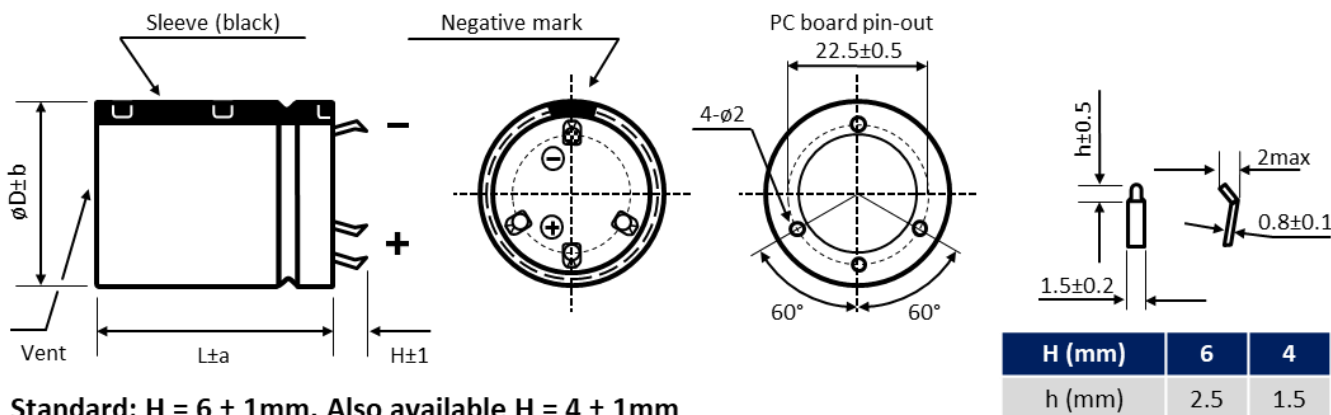
3-pin version - Polarity protection



Standard: $H = 6 \pm 1$ mm. Also available $H = 4 \pm 1$ mm

DIMENSIONS ▪ All dimensions in mm

Multipin version ▪ Diameter $\phi D \geq 30$ mm



Standard: $H = 6 \pm 1$ mm. Also available $H = 4 \pm 1$ mm

Further possible terminal styles can be found in our packaging information liquid snap-in.

MULTIPLIER K_f for RIPPLE CURRENT vs. FREQUENCY

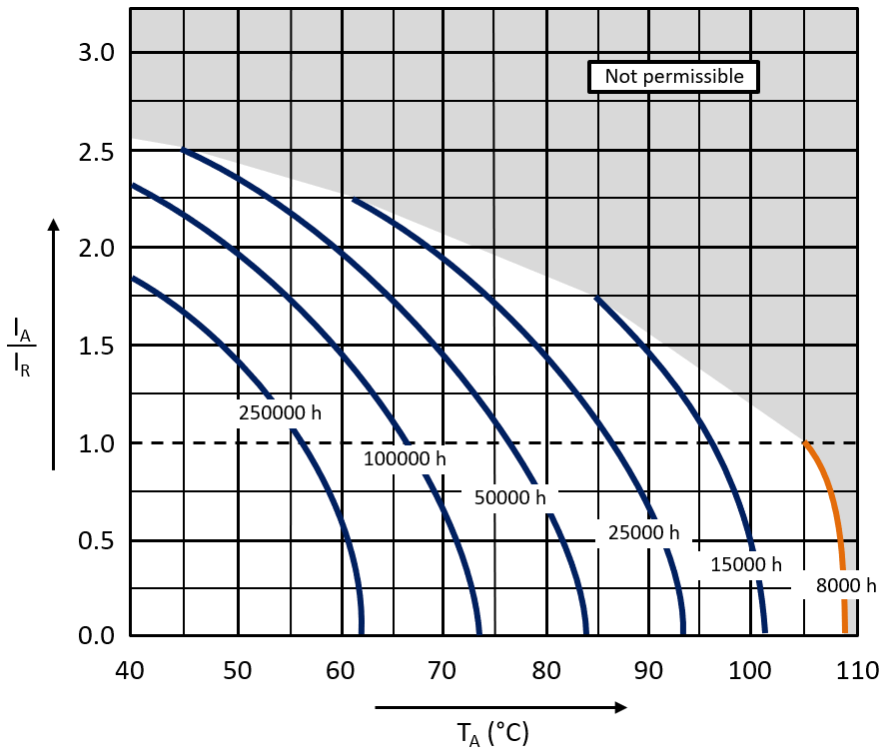
V_R (V) / Frequency (Hz)	50/60	100/120	300	500	1k	$\geq 10k$
$160 \leq V_R \leq 250$	0.90	1.00	1.15	1.20	1.30	1.50
$400 \leq V_R \leq 500$	0.90	1.00	1.15	1.20	1.25	1.40

PRECAUTIONS, GUIDELINES AND PACKAGING INFORMATION

Unless otherwise agreed in individual specifications, all products are subject to our “General Precautions and Guidelines” as well as our “Packaging Information”. Please refer to the following links in the table.

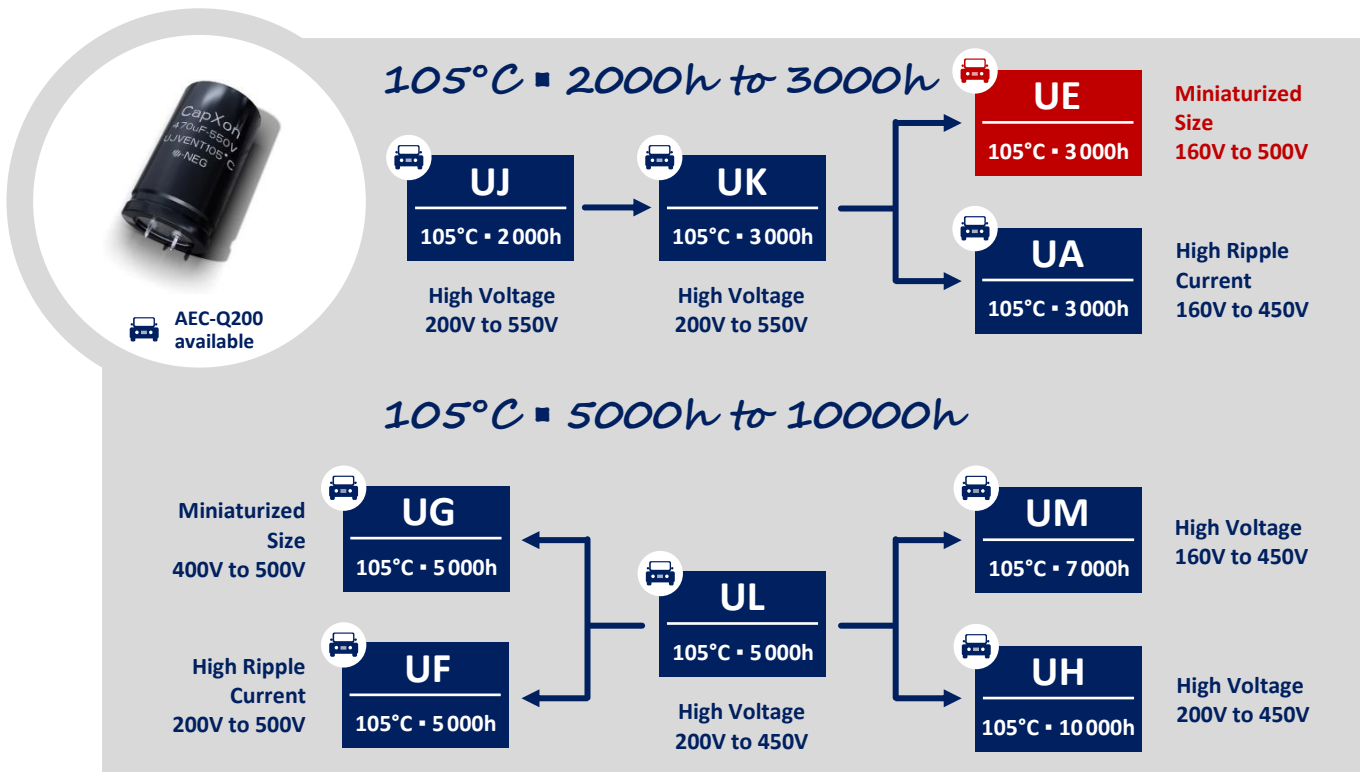
General Precautions & Guidelines	Packaging Information	Vibration Test Profiles	3D Models	Reliability Tests

USEFUL LIFE



With: I_A : Application current
 I_R : Rated ripple current (A RMS)
 T_A : Application temperature of the capacitor

GROUP CHART





DISCLAIMER

All product related data (e.g. specification, statements and general information) are subject to change without any notice. It is necessary that the customer observes all product related technical / application information and handling instructions.

CapXon products are designed and manufactured according to severe quality and safety standards. Under no circumstance, CapXon warrants that any CapXon product is suitable for the purposes intended for your application, even CapXon knows the application. It is customer's duty and obligation to check and make sure that CapXon products are suitable for the purposes intended and select the correct and proper CapXon product. Customers are requested to perform a sufficient validation and reliability evaluation to assure needed safety level and reliability performance by suitable designs and to apply proper safeguards (e.g. redundancies, protective circuits).

Particular operating conditions (ambient temperature, ripple current, voltage, thermal resistance, etc.) as well as storage, production or assembly may affect the performance and the lifetime of the capacitor. Please consult CapXon for lifetime estimation, failure mode considerations or worst-case scenarios according to the product technology, product tolerances / deviations or change of the characteristics of the capacitor due to shipment, storage, handling, production and usage.

For aerospace or military application, life-saving, life-sustaining, safety critical applications or any application where failure may cause severe personal injury or death, please consult us before design-in the capacitor in your application.

Except for the written expressed warranties, CapXon does not impliedly, by assumption or whatever else, warrant, undertake, promise any other warranty or guaranty for any CapXon product.

For further information, please visit our website www.capxongroup.com or contact CapXon directly.