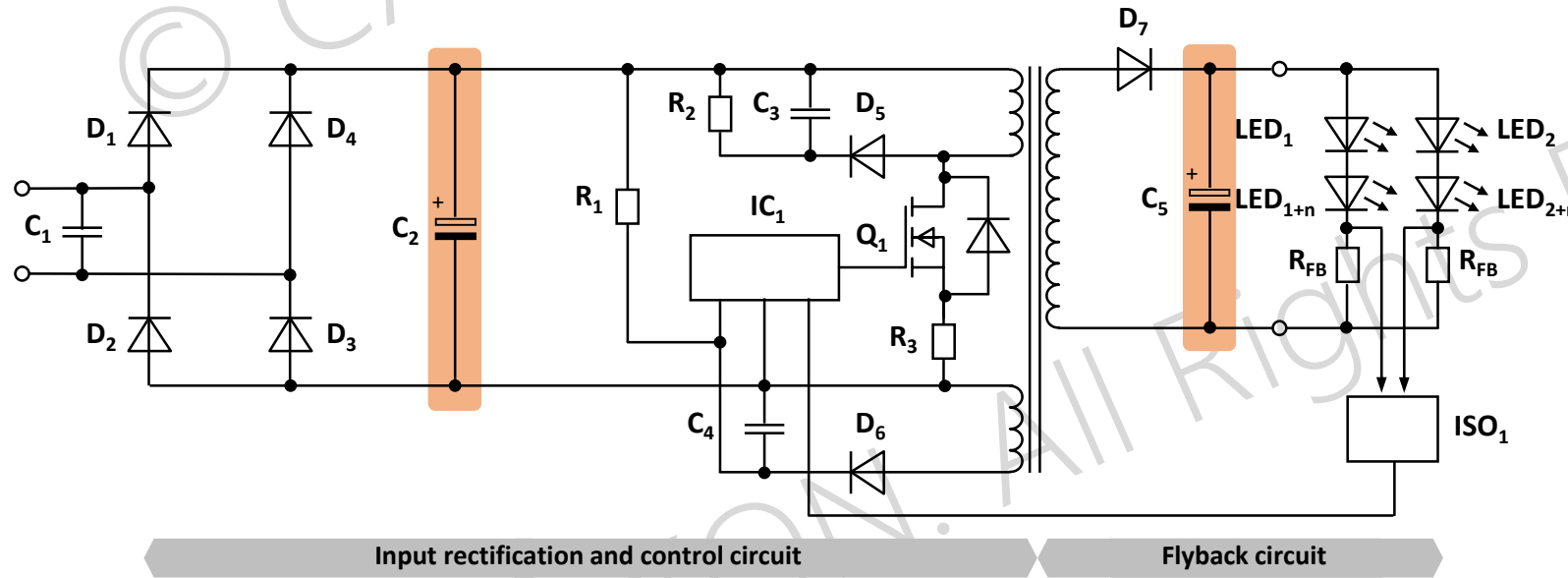


# Lighting



Lighting

## LED lighting – Layout Example



### LED lighting

Function	Input and output smoothing
Description	??
Request on the capacitor	High temperature environment
	High ripple current
	Long life
Recommended series	Miniaturized
	Input: FK, FL
	Output: GH, TH

Designator	Circuit	Purpose	Specification	Recommended series	Partnumber	Manufacturer
C2	Input rectification and control circuit	Input smoothing	<b>E-Cap</b> 10 $\mu$ F, 400V, 105°C, +/-20%, D10xL20, 0.40A, Radial	<b>FK</b>	FK100M400G200A	CapXon
C2	Input rectification and control circuit	Input smoothing	<b>E-Cap</b> 120 $\mu$ F, 400V, 105°C, +/-20%, D18xL40, 1.95A, Radial	<b>FL</b>	FL121M400K315A	CapXon
C5	Flyback circuit	Output smoothing	<b>E-Cap</b> 33 $\mu$ F, 100V, 105°C, +/-20%, D10xL20, 0.158A, Radial	<b>TH</b>	TH330M100G00A	CapXon
C5	Flyback circuit	Output smoothing	<b>E-Cap</b> 680 $\mu$ F, 63V, 105°C, +/-20%, 0.071 Ohm, D13xL30, 2.08A, Radial	<b>GH</b>	GH681M063I300A	CapXon