



**UF SERIES** ▪ HIGH RIPPLE CURRENT, AUTOMOTIVE 105°C TYPE

**KEY FEATURES**

HIGH  
RIPPLE CURRENT

LOW ESR

LONG LIFE

HIGH VOLTAGE

AEC-Q 200

- **ALUMINUM ELECTROLYTIC CAPACITOR** ▪ Snap-In type
- Endurance: 105°C ▪ 5 000 hours, Useful life: 105°C ▪ 10 000 hours
- AEC-Q200 version available
- Especially for applications with demanding operating environment
- **Extremely stable dissipation factor and leakage current**



**SPECIFICATIONS**

Items		Performance Characteristics			
Operating Temperature Range		-40 ~ +105°C		-25 ~ +105°C	
Rated Voltage Range	V <sub>R</sub>	200 ~ 450V DC		475 ~ 500V DC	
Surge Voltage	V <sub>S</sub>	(V <sub>R</sub> ≤ 315V) ▪ V <sub>S</sub> = 1.15·V <sub>R</sub>		(V <sub>R</sub> > 315V) ▪ V <sub>S</sub> = 1.10·V <sub>R</sub>	
Capacitance Range	C <sub>R</sub>	100 ~ 2700µF		56 ~ 560µF	
Cap. Tolerance	ΔC	±20% (120Hz ▪ 20°C)			
Leakage Current (20°C ▪ V <sub>R</sub> applied)	I <sub>LEAK</sub>	≤ 3 · √C <sub>R</sub> · V <sub>R</sub> ▪ After 5 minutes [ I <sub>LEAK</sub> (µA) ; C <sub>R</sub> (µF) ; V <sub>R</sub> (V) ]			
Dissipation Factor % (20°C ▪ 120Hz)	tanδ	V <sub>R</sub> (V DC)	200 ~ 450	475 ~ 500	
		tanδ	20	25	
Self-Resistance (20°C ▪ 120Hz)	ESR	Not to exceed the values shown in standard ratings			
Low Temperature Characteristics at 120Hz	Z ratio max.	V <sub>R</sub> (V DC)	200 ~ 250	315 ~ 450	475 ~ 500
		Z-25°C/Z+20°C	3	8	8
		Z-40°C/Z+20°C	7	10	-

Lifetime Test					
Useful Life 105°C (V <sub>R</sub> & I <sub>R</sub> applied)	Test	<b>10000 hours</b>			
	ΔC/C <sub>R</sub>	≤ ±20% of initial measured value			
	tanδ	≤ 200% of initial specified value			
	I <sub>Leak</sub>	≤ the initial specified value			
	Deviation Rate at Useful Life: 100 FIT = 0.01%/1000h with 60% confidence level ▪ parts show higher drift as test criteria				
Endurance 105°C (V <sub>R</sub> & I <sub>R</sub> applied)	Test	<b>5000 hours</b>			
	ΔC/C <sub>R</sub>	≤ ±15% of initial measured value			
	tanδ	≤ 175% of initial specified value			
	I <sub>Leak</sub>	≤ the initial specified value			
Shelf Life 105°C (V <sub>R</sub> = 0)	Test	<b>1000 hours</b>			
	ΔC/C <sub>R</sub>	≤ ±15% of initial measured value			
	tanδ	≤ 175% of initial specified value			
	I <sub>Leak</sub>	≤ the initial specified value			
	Before measurement: Restore capacitor to 20°C, apply V <sub>R</sub> for 30 min according JIS-C-5101-4				
Vibration Resistance Test	Max. 10g force, f <sub>RANGE</sub> 10Hz ... 55Hz, amplitude 0.75mm; X/Y/Z-axis each 2h; capacitor rigidly clamped by body to surface ▪ IEC 60068-2-6				



STANDARD RATINGS

V <sub>R</sub> (V)	C <sub>R</sub> (μF)	ø D (mm)	L (mm)	Typ. ESR +20°C • 120Hz (mΩ)	Max. ESR +20°C • 120Hz (mΩ)	I <sub>R</sub> • Max. Ripple Current +105°C • 120Hz (mA rms)	CapXon Part Number
200	330	22	25	380	600	1410	UF331M200M250A□□□
	390	22	30	320	510	1630	UF391M200M300A□□□
	470	22	30	260	420	1720	UF471M200M300A□□□
	470	25	25	260	420	1570	UF471M200N250A□□□
	560	22	35	230	360	1950	UF561M200M350A□□□
	560	25	30	230	360	1840	UF561M200N300A□□□
	680	22	40	180	290	2220	UF681M200M400A□□□
	680	25	35	180	290	2110	UF681M200N350A□□□
	680	30	25	180	290	1690	UF681M200O250A□□□
	820	22	50	150	240	2600	UF821M200M500A□□□
	820	25	40	150	240	2370	UF821M200N400A□□□
	820	30	30	150	240	2010	UF821M200O300A□□□
	820	30	25	150	240	1680	UF821M200O250A□□□
	1000	22	60	130	200	3000	UF102M200M600A□□□
	1000	25	45	130	200	2620	UF102M200N450A□□□
	1000	30	35	130	200	2300	UF102M200O350A□□□
	1000	35	30	130	200	2020	UF102M200P300A□□□
	1200	25	50	110	170	2880	UF122M200N500A□□□
	1200	30	40	110	170	2550	UF122M200O400A□□□
	1200	35	30	110	170	2220	UF122M200P300A□□□
	1500	30	45	81	130	2800	UF152M200O450A□□□
	1500	35	35	81	130	2560	UF152M200P350A□□□
	1800	30	50	69	110	3080	UF182M200O500A□□□
	1800	35	40	69	110	2850	UF182M200P400A□□□
2200	35	50	57	90	3140	UF222M200P500A□□□	
2700	35	60	46	74	3490	UF272M200P600A□□□	
220	270	22	25	460	740	1330	UF271M220M250A□□□
	330	22	30	380	600	1550	UF331M220M300A□□□
	390	22	30	320	510	1630	UF391M220M300A□□□
	390	25	25	320	510	1500	UF391M220N250A□□□
	470	22	35	260	420	1850	UF471M220M350A□□□
	470	25	30	260	420	1760	UF471M220N300A□□□
	560	22	40	230	360	2080	UF561M220M400A□□□
	560	25	30	230	360	1830	UF561M220N300A□□□
	560	30	25	230	360	1640	UF561M220O250A□□□
	680	22	45	180	290	2340	UF681M220M450A□□□
	680	25	35	180	290	2100	UF681M220N350A□□□
	680	30	30	180	290	1940	UF681M220O300A□□□
	820	22	55	150	240	2730	UF821M220M550A□□□
	820	25	40	150	240	2350	UF821M220N400A□□□
	820	30	30	150	240	1990	UF821M220O300A□□□
	820	35	25	150	240	1890	UF821M220P250A□□□
	1000	25	45	130	200	2650	UF102M220N450A□□□
	1000	30	35	130	200	2260	UF102M220O350A□□□

□□□ see description at end of standard ratings



STANDARD RATINGS

V <sub>R</sub> (V)	C <sub>R</sub> (μF)	∅ D (mm)	L (mm)	Typ. ESR +20°C • 120Hz (mΩ)	Max. ESR +20°C • 120Hz (mΩ)	I <sub>R</sub> - Max. Ripple Current +105°C • 120Hz (mA rms)	CapXon Part Number
220	1000	35	30	130	200	2150	UF102M220P300A□□□
	1200	25	60	110	170	3190	UF122M220N600A□□□
	1200	30	40	110	170	2530	UF122M220O400A□□□
	1200	35	35	110	170	2480	UF122M220P350A□□□
	1500	30	50	81	130	2970	UF152M220O500A□□□
	1500	35	40	81	130	2500	UF152M220P400A□□□
	1800	30	60	69	110	3430	UF182M220O600A□□□
	1800	35	45	69	110	3040	UF182M220P450A□□□
	2200	35	55	57	90	3180	UF222M220P550A□□□
250	270	22	25	460	740	1320	UF271M250M250A□□□
	330	22	30	380	600	1540	UF331M250M300A□□□
	330	25	25	380	600	1450	UF331M250N250A□□□
	390	22	35	320	510	1750	UF391M250M350A□□□
	390	25	30	320	510	1680	UF391M250N300A□□□
	470	22	40	260	420	1970	UF471M250M400A□□□
	470	25	30	260	420	1750	UF471M250N300A□□□
	560	22	45	230	360	2200	UF561M250M450A□□□
	560	25	35	230	360	1990	UF561M250N350A□□□
	560	30	25	230	360	1630	UF561M250O250A□□□
	680	22	50	180	290	2450	UF681M250M500A□□□
	680	25	40	180	290	2250	UF681M250N400A□□□
	680	30	30	180	290	1920	UF681M250O300A□□□
	680	35	25	180	290	1800	UF681M250P250A□□□
	820	22	60	150	240	2810	UF821M250M600A□□□
	820	25	45	150	240	2490	UF821M250N450A□□□
	820	30	35	150	240	2190	UF821M250O350A□□□
	820	35	30	150	240	1940	UF821M250P300A□□□
	1000	25	55	130	200	2910	UF102M250N550A□□□
	1000	30	40	130	200	2440	UF102M250O400A□□□
	1000	35	35	130	200	2380	UF102M250P350A□□□
1200	30	45	110	170	2680	UF122M250O450A□□□	
1200	35	40	110	170	2470	UF122M250P400A□□□	
1500	30	55	81	130	3150	UF152M250O550A□□□	
1500	35	45	81	130	2920	UF152M250P450A□□□	
1800	35	50	69	110	3040	UF182M250P500A□□□	
2200	35	60	57	90	3370	UF222M250P600A□□□	
315	150	22	25	830	1330	1000	UF151M315M250A□□□
	180	22	30	690	1110	1140	UF181M315M300A□□□
	220	22	35	560	900	1310	UF221M315M350A□□□
	220	25	25	560	900	1200	UF221M315N250A□□□
	270	22	40	460	740	1490	UF271M315M400A□□□
	270	25	30	460	740	1390	UF271M315N300A□□□
	330	22	45	380	600	1690	UF331M315M450A□□□
	330	25	35	380	600	1590	UF331M315N350A□□□
	330	30	25	380	600	1410	UF331M315O250A□□□

□□□ see description at end of standard ratings



STANDARD RATINGS

V <sub>R</sub> (V)	C <sub>R</sub> (μF)	ø D (mm)	L (mm)	Typ. ESR +20°C - 120Hz (mΩ)	Max. ESR +20°C - 120Hz (mΩ)	I <sub>R</sub> - Max. Ripple Current +105°C - 120Hz (mA rms)	CapXon Part Number
315	390	22	50	320	510	1870	UF391M315M500A□□□
	390	25	40	320	510	1780	UF391M315N400A□□□
	390	30	30	320	510	1630	UF391M315O300A□□□
	390	35	25	320	510	1480	UF391M315P250A□□□
	470	22	55	260	420	2090	UF471M315M550A□□□
	470	25	45	260	420	1990	UF471M315N450A□□□
	470	30	35	260	420	1860	UF471M315O350A□□□
	470	35	30	260	420	1740	UF471M315P300A□□□
	560	22	60	230	360	2290	UF561M315M600A□□□
	560	25	50	230	360	2210	UF561M315N500A□□□
	560	30	40	230	360	2080	UF561M315O400A□□□
	560	35	30	230	360	1760	UF561M315P300A□□□
	680	25	55	180	290	2440	UF681M315N550A□□□
	680	30	45	180	290	2320	UF681M315O450A□□□
	680	35	35	180	290	2010	UF681M315P350A□□□
	820	25	60	150	240	2680	UF821M315N600A□□□
	820	30	50	150	240	2550	UF821M315O500A□□□
	820	35	40	150	240	2260	UF821M315P400A□□□
	1000	30	55	130	200	2780	UF102M315O550A□□□
	1000	35	50	130	200	2700	UF102M315P500A□□□
1200	30	60	110	170	3010	UF122M315O600A□□□	
1200	35	55	110	170	2920	UF122M315P550A□□□	
1500	35	60	81	130	3120	UF152M315P600A□□□	
350	120	22	25	1040	1660	920	UF121M350M250A□□□
	150	22	30	830	1330	1080	UF151M350M300A□□□
	180	22	35	690	1110	1220	UF181M350M350A□□□
	180	25	25	690	1110	1130	UF181M350N250A□□□
	220	22	40	560	900	1390	UF221M350M400A□□□
	220	25	30	560	900	1300	UF221M350N300A□□□
	270	22	45	460	740	1570	UF271M350M450A□□□
	270	25	35	460	740	1490	UF271M350N350A□□□
	270	30	25	460	740	1340	UF271M350O250A□□□
	330	22	50	380	600	1770	UF331M350M500A□□□
	330	25	40	380	600	1690	UF331M350N400A□□□
	330	30	30	380	600	1560	UF331M350O300A□□□
	330	35	25	380	600	1420	UF331M350P250A□□□
	390	22	55	320	510	1960	UF391M350M550A□□□
	390	25	45	320	510	1880	UF391M350N450A□□□
	390	30	35	320	510	1770	UF391M350O350A□□□
	390	35	30	320	510	1660	UF391M350P300A□□□
	470	22	60	260	420	2170	UF471M350M600A□□□
	470	25	50	260	420	2090	UF471M350N500A□□□
	470	30	40	260	420	1990	UF471M350O400A□□□
470	35	35	260	420	1900	UF471M350P350A□□□	
560	25	55	230	360	2300	UF561M350N550A□□□	

□□□ see description at end of standard ratings



STANDARD RATINGS

V <sub>R</sub> (V)	C <sub>R</sub> (μF)	ø D (mm)	L (mm)	Typ. ESR +20°C • 120Hz (mΩ)	Max. ESR +20°C • 120Hz (mΩ)	I <sub>R</sub> • Max. Ripple Current +105°C • 120Hz (mA rms)	CapXon Part Number
350	560	30	45	230	360	2200	UF561M350O450A□□□
	560	35	40	230	360	2130	UF561M350P400A□□□
	680	30	50	180	290	2430	UF681M350O500A□□□
	680	35	40	180	290	2170	UF681M350P400A□□□
	820	30	55	150	240	2650	UF821M350O550A□□□
	820	35	45	150	240	2390	UF821M350P450A□□□
	1000	35	50	130	200	2610	UF102M350P500A□□□
	1200	35	60	110	170	3010	UF122M350P600A□□□
385	120	22	25	1040	1660	930	UF121M385M250A□□□
	150	22	30	830	1330	1080	UF151M385M300A□□□
	180	22	30	690	1110	1170	UF181M385M300A□□□
	180	25	25	690	1110	1130	UF181M385N250A□□□
	220	22	35	560	900	1330	UF221M385M350A□□□
	220	25	30	560	900	1310	UF221M385N300A□□□
	270	22	45	460	740	1580	UF271M385M450A□□□
	270	25	35	460	740	1500	UF271M385N350A□□□
	270	30	25	460	740	1330	UF271M385O250A□□□
	330	22	50	380	600	1780	UF331M385M500A□□□
	330	25	40	380	600	1700	UF331M385N400A□□□
	330	30	30	380	600	1550	UF331M385O300A□□□
	330	35	25	380	600	1400	UF331M385P250A□□□
	390	22	60	320	510	2030	UF391M385M600A□□□
	390	25	45	320	510	1880	UF391M385N450A□□□
	390	30	35	320	510	1760	UF391M385O350A□□□
	390	35	30	320	510	1640	UF391M385P300A□□□
	470	25	55	260	420	2180	UF471M385N550A□□□
	470	30	40	260	420	1970	UF471M385O400A□□□
	470	35	35	260	420	1870	UF471M385P350A□□□
	560	25	60	230	360	2390	UF561M385N600A□□□
	560	30	45	230	360	2180	UF561M385O450A□□□
	560	35	35	230	360	1890	UF561M385P350A□□□
	680	30	50	180	290	2400	UF681M385O500A□□□
	680	35	40	180	290	2120	UF681M385P400A□□□
	820	30	60	150	240	2760	UF821M385O600A□□□
	820	35	50	150	240	2530	UF821M385P500A□□□
	1000	35	55	130	200	2740	UF102M385P550A□□□
400	120	22	25	1040	1660	910	UF121M400M250A□□□
	150	22	30	830	1330	1060	UF151M400M300A□□□
	150	25	25	830	1330	1040	UF151M400N250A□□□
	180	22	35	690	1110	1210	UF181M400M350A□□□
	180	25	30	690	1110	1190	UF181M400N300A□□□
	220	22	40	560	900	1370	UF221M400M400A□□□
	220	25	30	560	900	1280	UF221M400N300A□□□
	220	30	25	560	900	1250	UF221M400O250A□□□
	270	22	45	460	740	1560	UF271M400M450A□□□

□□□ see description at end of standard ratings



STANDARD RATINGS

V <sub>R</sub> (V)	C <sub>R</sub> (μF)	ø D (mm)	L (mm)	Typ. ESR +20°C • 120Hz (mΩ)	Max. ESR +20°C • 120Hz (mΩ)	I <sub>R</sub> - Max. Ripple Current +105°C • 120Hz (mA rms)	CapXon Part Number
400	270	25	35	460	740	1470	UF271M400N350A□□□
	270	30	30	460	740	1450	UF271M400O300A□□□
	330	22	55	380	600	1810	UF331M400M550A□□□
	330	25	40	380	600	1660	UF331M400N400A□□□
	330	30	30	380	600	1550	UF331M400O300A□□□
	330	35	25	380	600	1360	UF331M400P250A□□□
	390	25	50	320	510	1930	UF391M400N500A□□□
	390	30	35	320	510	1720	UF391M400O350A□□□
	390	35	30	320	510	1610	UF391M400P300A□□□
	470	25	55	260	420	2140	UF471M400N550A□□□
	470	30	40	260	420	1930	UF471M400O400A□□□
	470	35	35	260	420	1830	UF471M400P350A□□□
	560	30	45	230	360	2130	UF561M400O450A□□□
	560	35	40	230	360	2040	UF561M400P400A□□□
	680	30	55	180	290	2480	UF681M400O550A□□□
	680	35	45	180	290	2260	UF681M400P450A□□□
820	35	50	150	240	2470	UF821M400P500A□□□	
1000	35	60	130	200	2850	UF102M400P600A□□□	
420	100	22	25	1240	1990	850	UF101M420M250A□□□
	120	22	30	1040	1660	970	UF121M420M300A□□□
	150	22	35	830	1330	1120	UF151M420M350A□□□
	150	25	25	830	1330	1030	UF151M420N250A□□□
	180	22	40	690	1110	1260	UF181M420M400A□□□
	180	25	30	690	1110	1190	UF181M420N300A□□□
	220	22	45	560	900	1430	UF221M420M450A□□□
	220	25	35	560	900	1360	UF221M420N350A□□□
	220	30	25	560	900	1230	UF221M420O250A□□□
	270	22	50	460	740	1610	UF271M420M500A□□□
	270	25	40	460	740	1550	UF271M420N400A□□□
	270	30	30	460	740	1440	UF271M420O300A□□□
	270	35	25	460	740	1320	UF271M420P250A□□□
	330	22	60	380	600	1860	UF331M420M600A□□□
	330	25	45	380	600	1740	UF331M420N450A□□□
	330	30	35	380	600	1640	UF331M420O350A□□□
	330	35	30	380	600	1550	UF331M420P300A□□□
	390	25	55	320	510	2000	UF391M420N550A□□□
	390	30	40	320	510	1830	UF391M420O400A□□□
	390	35	35	320	510	1760	UF391M420P350A□□□
	470	25	60	260	420	2200	UF471M420N600A□□□
	470	30	45	260	420	2040	UF471M420O450A□□□
	470	35	35	260	420	1800	UF471M420P350A□□□
	560	30	50	230	360	2240	UF561M420O500A□□□
560	35	40	230	360	2070	UF561M420P400A□□□	
680	30	60	180	290	2570	UF681M420O600A□□□	
680	35	50	180	290	2430	UF681M420P500A□□□	

□□□ see description at end of standard ratings



STANDARD RATINGS

V <sub>R</sub> (V)	C <sub>R</sub> (μF)	ø D (mm)	L (mm)	Typ. ESR +20°C - 120Hz (mΩ)	Max. ESR +20°C - 120Hz (mΩ)	I <sub>R</sub> - Max. Ripple Current +105°C - 120Hz (mA rms)	CapXon Part Number	
420	820	35	55	150	240	2600	UF821M420P550A□□□	
	450	100	22	25	1240	1990	850	UF101M450M250A□□□
		120	22	30	1040	1660	980	UF121M450M300A□□□
		120	25	25	1040	1660	960	UF121M450N250A□□□
		150	22	35	830	1330	1130	UF151M450M350A□□□
		150	25	30	830	1330	1120	UF151M450N300A□□□
		180	22	40	690	1110	1270	UF181M450M400A□□□
		180	25	30	690	1110	1190	UF181M450N300A□□□
		180	30	25	690	1110	1170	UF181M450O250A□□□
		220	22	45	560	900	1440	UF221M450M450A□□□
		220	25	35	560	900	1370	UF221M450N350A□□□
		220	30	30	560	900	1360	UF221M450O300A□□□
		220	35	25	560	900	1270	UF221M450P250A□□□
		270	22	55	460	740	1680	UF271M450M550A□□□
		270	25	45	460	740	1620	UF271M450N450A□□□
		270	30	30	460	740	1430	UF271M450O300A□□□
		270	35	30	460	740	1480	UF271M450P300A□□□
330		25	50	380	600	1820	UF331M450N500A□□□	
330	30	40	380	600	1750	UF331M450O400A□□□		
330	35	30	380	600	1530	UF331M450P300A□□□		
390	25	55	320	510	2000	UF391M450N550A□□□		
390	30	45	320	510	1930	UF391M450O450A□□□		
390	35	35	320	510	1740	UF391M450P350A□□□		
470	30	50	260	420	2140	UF471M450O500A□□□		
470	35	40	260	420	1950	UF471M450P400A□□□		
560	30	55	230	360	2360	UF561M450O550A□□□		
560	35	45	230	360	2160	UF561M450P450A□□□		
680	35	50	180	290	2410	UF681M450P500A□□□		
475	68	22	25	2440	3900	680	UF680M475M250A□□□	
	82	22	30	2020	3230	780	UF820M475M300A□□□	
	100	22	35	1660	2650	900	UF101M475M350A□□□	
	100	25	25	1660	2650	850	UF101M475N250A□□□	
	120	22	35	1380	2210	980	UF121M475M350A□□□	
	120	25	30	1380	2210	970	UF121M475N300A□□□	
	150	22	45	1110	1770	1160	UF151M475M450A□□□	
	150	25	35	1110	1770	1120	UF151M475N350A□□□	
	150	30	25	1110	1770	1050	UF151M475O250A□□□	
	180	22	50	920	1470	1300	UF181M475M500A□□□	
	180	25	40	920	1470	1260	UF181M475N400A□□□	
	180	30	30	920	1470	1210	UF181M475O300A□□□	
	180	35	25	920	1470	1170	UF181M475P250A□□□	
	220	22	60	760	1210	1500	UF221M475M600A□□□	
	220	25	45	760	1210	1430	UF221M475N450A□□□	
	220	30	35	760	1210	1380	UF221M475O350A□□□	
	220	35	30	760	1210	1360	UF221M475P300A□□□	

□□□ see description at end of standard ratings





STANDARD RATINGS

V <sub>R</sub> (V)	C <sub>R</sub> (μF)	∅ D (mm)	L (mm)	Typ. ESR +20°C - 120Hz (mΩ)	Max. ESR +20°C - 120Hz (mΩ)	I <sub>r</sub> - Max. Ripple Current +105°C - 120Hz (mA rms)	CapXon Part Number
475	270	25	50	610	980	1310	UF271M475N500A□□□
	270	30	40	610	980	1570	UF271M475O400A□□□
	270	35	30	610	980	1430	UF271M475P300A□□□
	330	25	60	500	800	1850	UF331M475N600A□□□
	330	30	45	500	800	1760	UF331M475O450A□□□
	330	35	35	500	800	1630	UF331M475P350A□□□
	390	30	50	430	680	1940	UF391M475O500A□□□
	390	35	40	430	680	1820	UF391M475P400A□□□
	470	30	60	350	560	2220	UF471M475O600A□□□
	470	35	45	350	560	2020	UF471M475P450A□□□
500	56	22	25	2960	4740	640	UF560M500M250A□□□
	68	22	30	2440	3900	730	UF680M500M300A□□□
	82	22	30	2020	3230	800	UF820M500M300A□□□
	82	25	25	2020	3230	790	UF820M500N250A□□□
	100	22	35	1660	2650	920	UF101M500M350A□□□
	100	25	30	1660	2650	910	UF101M500N300A□□□
	120	22	40	1380	2210	1030	UF121M500M400A□□□
	120	25	35	1380	2210	1040	UF121M500N350A□□□
	120	30	25	1380	2210	980	UF121M500O250A□□□
	150	22	50	1110	1770	1220	UF151M500M500A□□□
	150	25	40	1110	1770	1190	UF151M500N400A□□□
	150	30	30	1110	1770	1140	UF151M500O300A□□□
	150	35	25	1110	1770	1110	UF151M500P250A□□□
	180	22	60	920	1470	1390	UF181M500M600A□□□
	180	25	45	920	1470	1330	UF181M500N450A□□□
	180	30	35	920	1470	1300	UF181M500O350A□□□
	180	35	30	920	1470	1280	UF181M500P300A□□□
	220	25	50	760	1210	1500	UF221M500N500A□□□
	220	30	40	760	1210	1470	UF221M500O400A□□□
	220	35	30	760	1210	1350	UF221M500P300A□□□
	270	25	60	610	980	1730	UF271M500N600A□□□
	270	30	45	610	980	1650	UF271M500O450A□□□
	270	35	35	610	980	1540	UF271M500P350A□□□
	330	30	55	500	800	1910	UF331M500O550A□□□
	330	35	40	500	800	1740	UF331M500P400A□□□
	390	30	60	430	680	2100	UF391M500O600A□□□
	390	35	45	430	680	1920	UF391M500P450A□□□
	470	35	55	350	560	2230	UF471M500P550A□□□

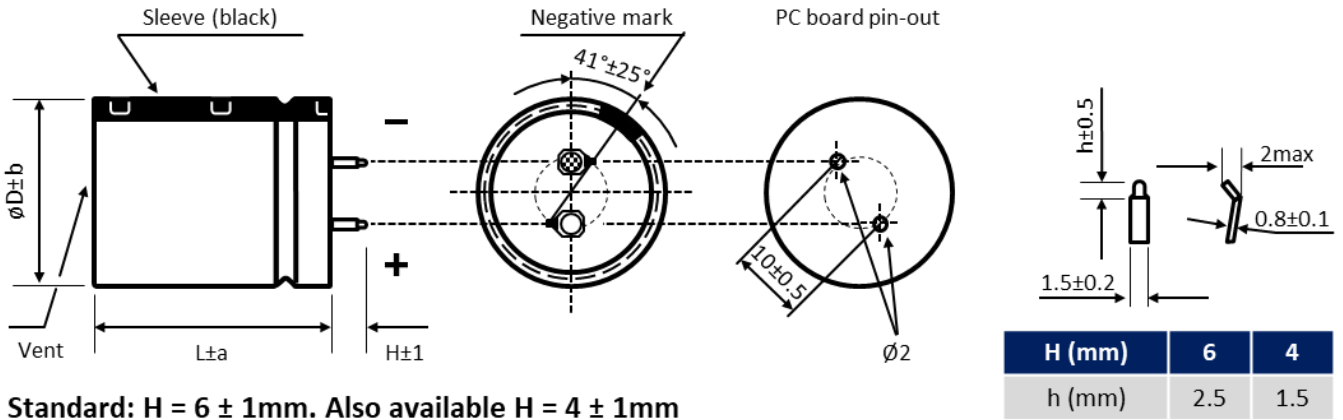
□□□: Enter **P6** for standard type ▪ 6mm pin length  
 □□□: Enter **P6X** for standard type ▪ 6mm pin length ▪ AEC-Q200  
 □□□: Enter **Z6** for 3-pin type ▪ 6mm pin length  
 □□□: Enter **Z6X** for 3-pin type ▪ 6mm pin length ▪ AEC-Q200  
 □□□: Enter **Y6** for multi-pin type ▪ 6mm pin length  
 □□□: Enter **Y6X** for multi-pin type ▪ 6mm pin length ▪ AEC-Q200

□□□: Enter **P4** for standard type ▪ 4mm pin length  
 □□□: Enter **P4X** for standard type ▪ 4mm pin length ▪ AEC-Q200  
 □□□: Enter **Z4** for 3-pin type ▪ 4mm pin length  
 □□□: Enter **Z4X** for 3-pin type ▪ 4mm pin length ▪ AEC-Q200  
 □□□: Enter **Y4** for multi-pin type ▪ 4mm pin length  
 □□□: Enter **Y4X** for multi-pin type ▪ 4mm pin length ▪ AEC-Q200



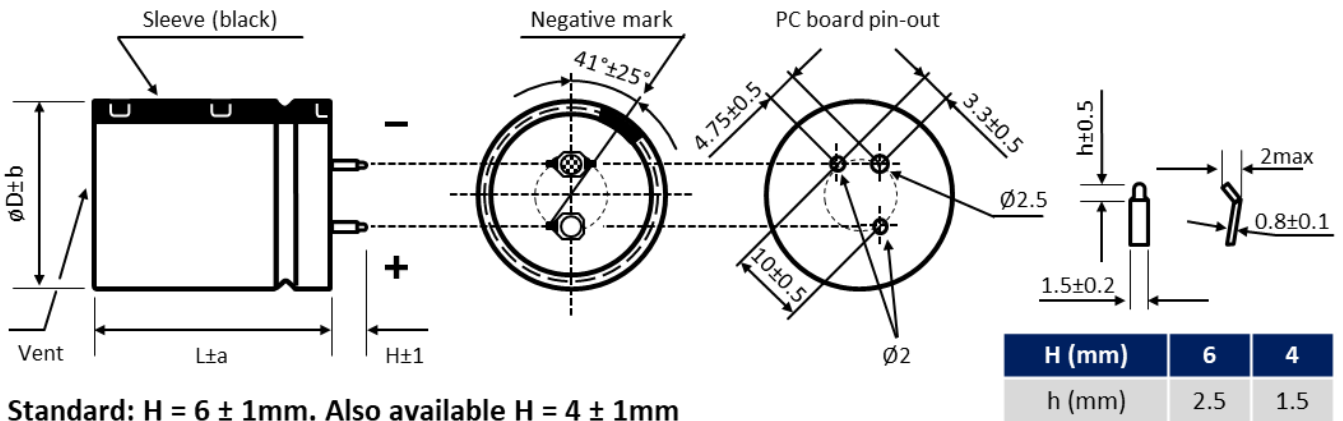
**DIMENSIONS** ▪ All dimensions in mm

2-pin version ▪ Standard type



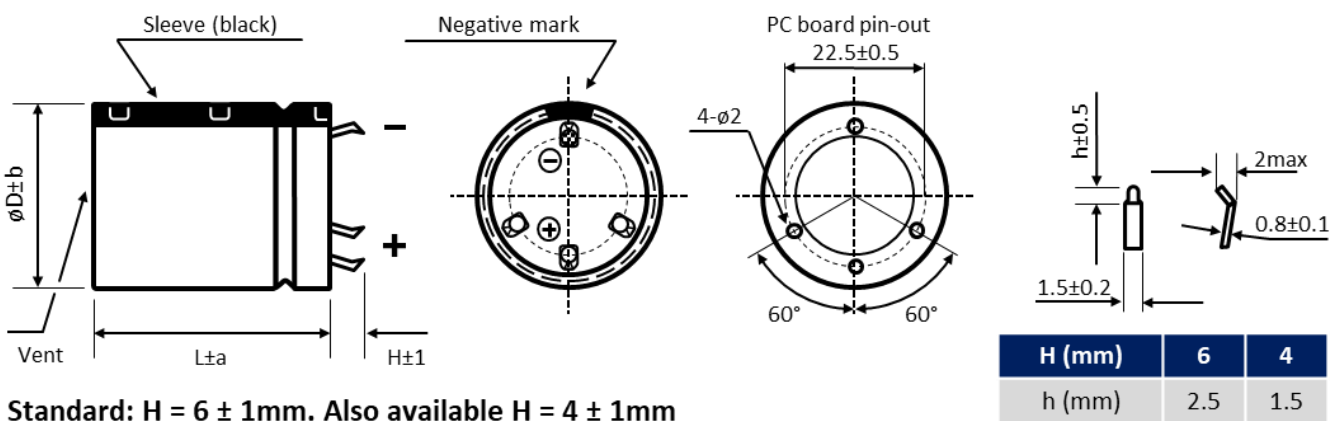
Standard: H = 6 ± 1mm. Also available H = 4 ± 1mm

3-pin version ▪ Polarity protection



Standard: H = 6 ± 1mm. Also available H = 4 ± 1mm

Multipin version ▪ Diameter  $\phi D \geq 30$  mm



Standard: H = 6 ± 1mm. Also available H = 4 ± 1mm

Further possible terminal styles can be found in our packaging information liquid snap-in.

**MULTIPLIER  $K_f$  for RIPPLE CURRENT vs. FREQUENCY**

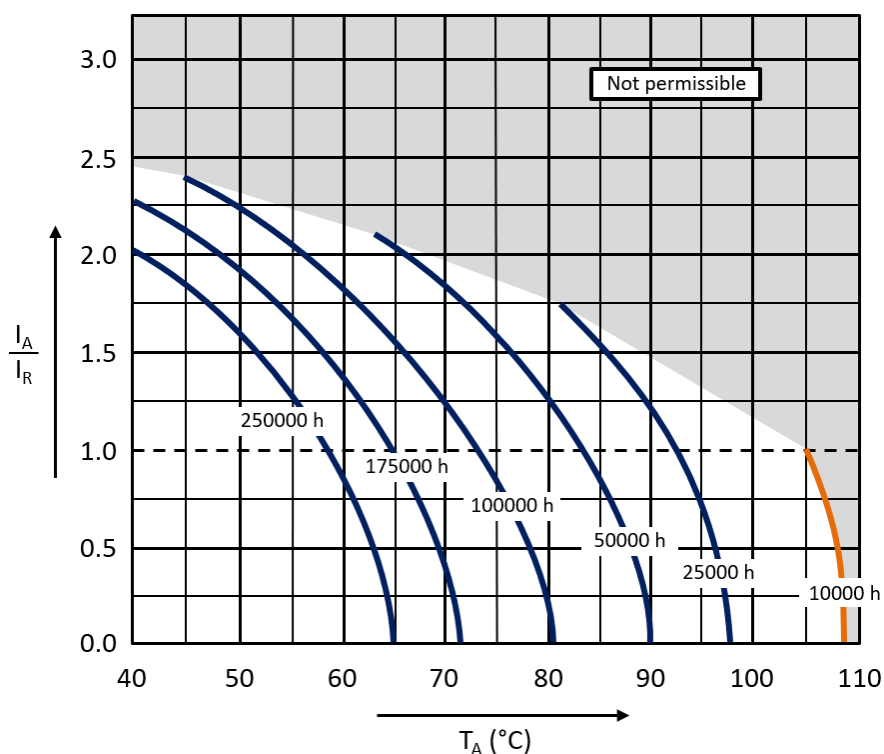
$V_R$ (V) / Frequency (Hz)	50/60	100/120	300	500	1k	10k $\leq$
$200 \leq V_R \leq 250$	0.80	1.00	1.15	1.20	1.30	1.50
$315 \leq V_R \leq 500$	0.80	1.00	1.15	1.20	1.25	1.40

**PRECAUTIONS, GUIDELINES AND PACKAGING INFORMATION**

Unless otherwise agreed in individual specifications, all products are subject to our “General Precautions and Guidelines” as well as our “Packaging Information”. Please refer to the following links in the table.

<a href="#">General Precautions &amp; Guidelines</a>	<a href="#">Packaging Information</a>	<a href="#">Vibration Test Profiles</a>	<a href="#">3D Models</a>	<a href="#">Reliability Tests</a>

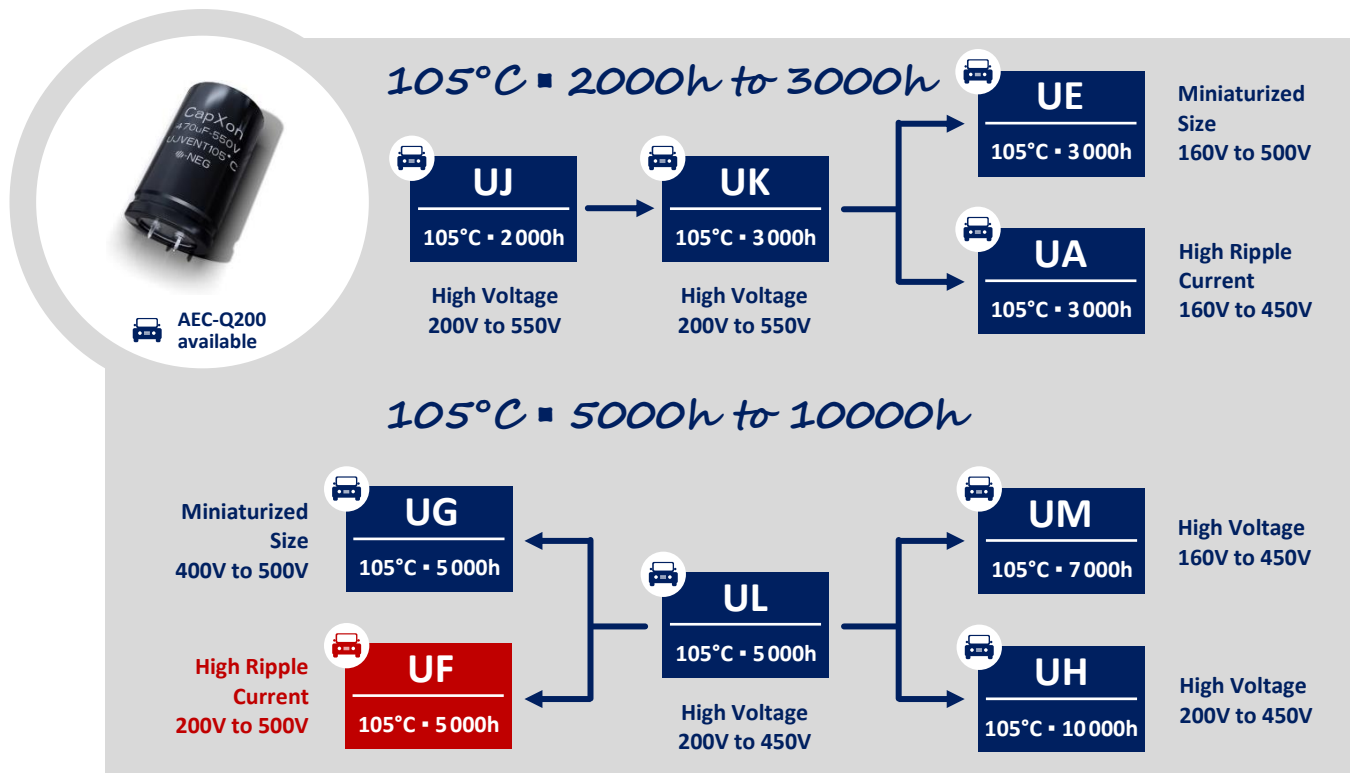
**USEFUL LIFE**



With:  $I_A$ : Application current  
 $I_R$ : Rated ripple current (A RMS)  
 $T_A$ : Application temperature of the capacitor



GROUP CHART



**DISCLAIMER**

All product related data (e.g. specification, statements and general information) are subject to change without any notice. It is necessary that the customer observes all product related technical / application information and handling instructions.

CapXon products are designed and manufactured according to severe quality and safety standards. Under no circumstance, CapXon warrants that any CapXon product is suitable for the purposes intended for your application, even CapXon knows the application. It is customer's duty and obligation to check and make sure that CapXon products are suitable for the purposes intended and select the correct and proper CapXon product. Customers are requested to perform a sufficient validation and reliability evaluation to assure needed safety level and reliability performance by suitable designs and to apply proper safeguards (e.g. redundancies, protective circuits).

Particular operating conditions (ambient temperature, ripple current, voltage, thermal resistance, etc.) as well as storage, production or assembly may affect the performance and the lifetime of the capacitor. Please consult CapXon for lifetime estimation, failure mode considerations or worst-case scenarios according to the product technology, product tolerances / deviations or change of the characteristics of the capacitor due to shipment, storage, handling, production and usage.

For aerospace or military application, life-saving, life-sustaining, safety critical applications or any application where failure may cause severe personal injury or death, please consult us before design-in the capacitor in your application.

Except for the written expressed warranties, CapXon does not impliedly, by assumption or whatever else, warrant, undertake, promise any other warranty or guaranty for any CapXon product.

For further information, please visit our website [www.capxongroup.com](http://www.capxongroup.com) or contact CapXon directly.