

RF SERIES ■ PULSE & PHOTO-FLASH TYPE

KEY FEATURES

- ALUMINUM ELECTROLYTIC CAPACITOR ■ THT type
- Small dimensions and low leakage current
- Optimized material combination to achieve low ESR and low dissipation factor
- Especially for impulse applications as photo flash generators, intense pulse light hair removers, laser power supplies and warning beacons



SPECIFICATIONS

Items		Performance Characteristics
Operating Temperature Range		-20 ~ +55°C
Rated Voltage Range	V _R	330 ~ 350V DC
Capacitance Range	C _R	100 ~ 450μF
Cap. Tolerance	ΔC	-10 ~ +20% (120Hz ■ 25°C)
Leakage Current (20°C ■ V _R applied)	I _{LEAK}	≤ 1·C _R (μA) ■ After 5 minutes [I _{LEAK} (μA) ; C _R (μF)]
Dissipation Factor % (20°C ■ 120Hz)	tanδ	8% max.

Lifetime Test		
Charge and Discharge 5 ~ 35°C (V _R applied)	Test	5 000 times
	Cycles	30 sec
	R _D	0.7 ~ 1Ω
	ΔC/C _R	≤ ±10% of initial measured value
	tanδ	≤ 150% of initial specified value
	I _{Leak}	≤ 150% of initial specified value
Shelf Life 55°C (V _R = 0)	Test	1 000 hours
	ΔC/C _R	≤ ±10% of initial measured value
	tanδ	≤ 150% of initial specified value
	I _{Leak}	≤ 150% of initial specified value
Before measurement: Restore capacitor to 20°C, apply V _R for 30 min according JIS-C-5101-4		

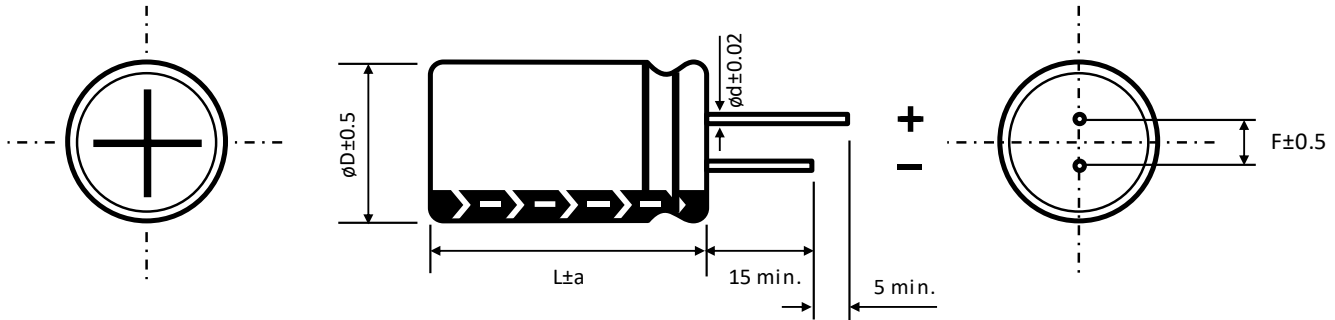
Pulse and flash-light capacitors are specially adapted to the application.



The data listed in the upper table and the following page are therefore **only a guide** for possible designs of the capacitance, voltage, dimensions, pulse frequency.

Please contact our CapXon product specialists for further details.

DIMENSIONS ▪ All dimensions in mm



ø D	8	10	12	13	14	16	18	20
F	3.5	5	5	5	5	7.5	7.5	7.5
ø d	0.6	0.6	0.8	0.8	0.8	0.8	0.8	0.8
a	1.5							

PRECAUTIONS, GUIDELINES AND PACKAGING INFORMATION

Unless otherwise agreed in individual specifications, all products are subject to our “General Precautions and Guidelines” as well as our “Packaging Information”. Please refer to the following links in the table.

General Precautions & Guidelines	Packaging Information	3D Models	Reliability Tests

DISCLAIMER

All product related data (e.g. specification, statements and general information) are subject to change without any notice. It is necessary that the customer observes all product related technical / application information and handling instructions.

CapXon products are designed and manufactured according to severe quality and safety standards. Under no circumstance, CapXon warrants that any CapXon product is suitable for the purposes intended for your application, even CapXon knows the application. It is customer's duty and obligation to check and make sure that CapXon products are suitable for the purposes intended and select the correct and proper CapXon product. Customers are requested to perform a sufficient validation and reliability evaluation to assure needed safety level and reliability performance by suitable designs and to apply proper safeguards (e.g. redundancies, protective circuits).

Particular operating conditions (ambient temperature, ripple current, voltage, thermal resistance, etc.) as well as storage, production or assembly may affect the performance and the lifetime of the capacitor. Please consult CapXon for lifetime estimation, failure mode considerations or worst-case scenarios according to the product technology, product tolerances / deviations or change of the characteristics of the capacitor due to shipment, storage, handling, production and usage.

For aerospace or military application, life-saving, life-sustaining, safety critical applications or any application where failure may cause severe personal injury or death, please consult us before design-in the capacitor in your application.

Except for the written expressed warranties, CapXon does not impliedly, by assumption or whatever else, warrant, undertake, promise any other warranty or guaranty for any CapXon product.

For further information, please visit our website www.capxongroup.com or contact CapXon directly.