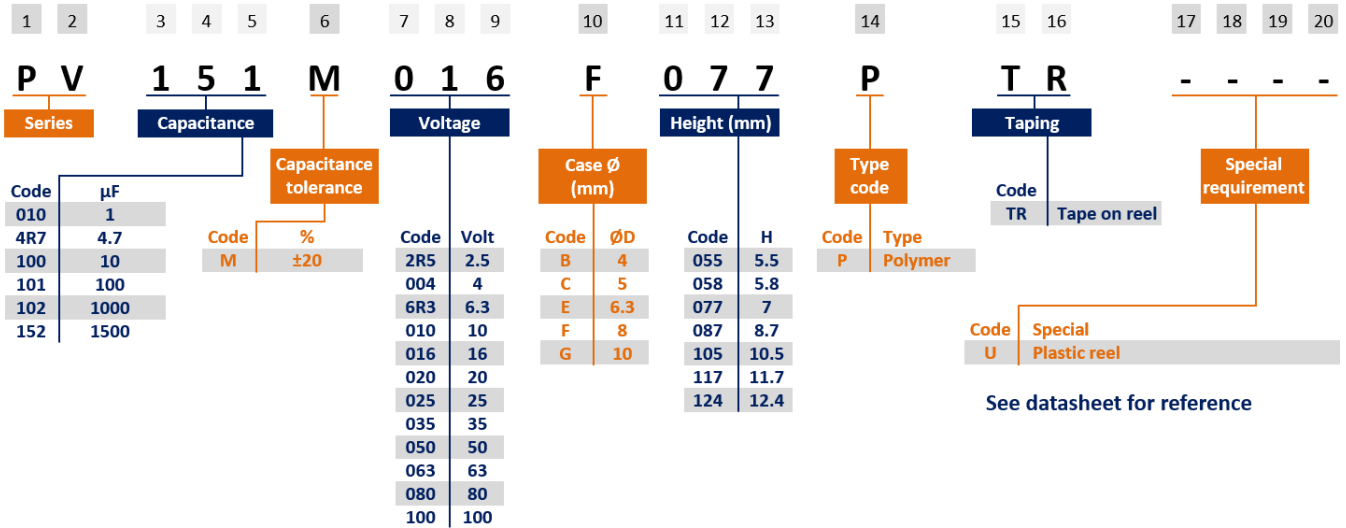


### PRODUCT CODE - SMD CONDUCTIVE POLYMER CAPACITORS



SMD type example:

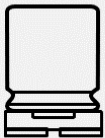
PV series ▪ 150µF ▪ 16V ▪ ±20% ▪ Ø 8mm ▪ H 7.7mm ▪ Tape & Reel



Please consult CapXon for further assistance

### MARKING - SMD CONDUCTIVE POLYMER CAPACITORS

#### Solid Conductive Polymer Capacitor - SMD type



CapXon: Manufacturer trademark  
 150: Nominal capacitance (µF)  
 16V: Rated voltage (V)  
 (-) polarity (Cathode indicate)

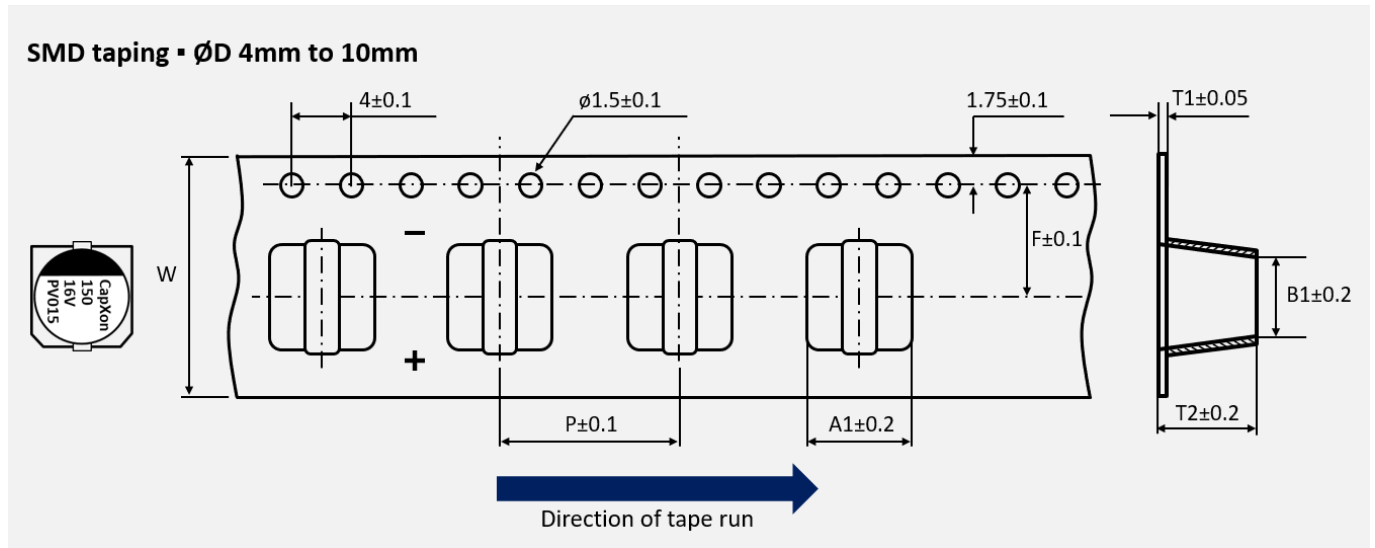
PV: PV Series  
 015: Production datacode year/week  
 (ex. 2020/15<sup>th</sup> week)

#### Top view



0 15  
 → Production week  
 → Last digit of the year

### TAPING - SMD CONDUCTIVE POLYMER CAPACITORS - REEL PACK

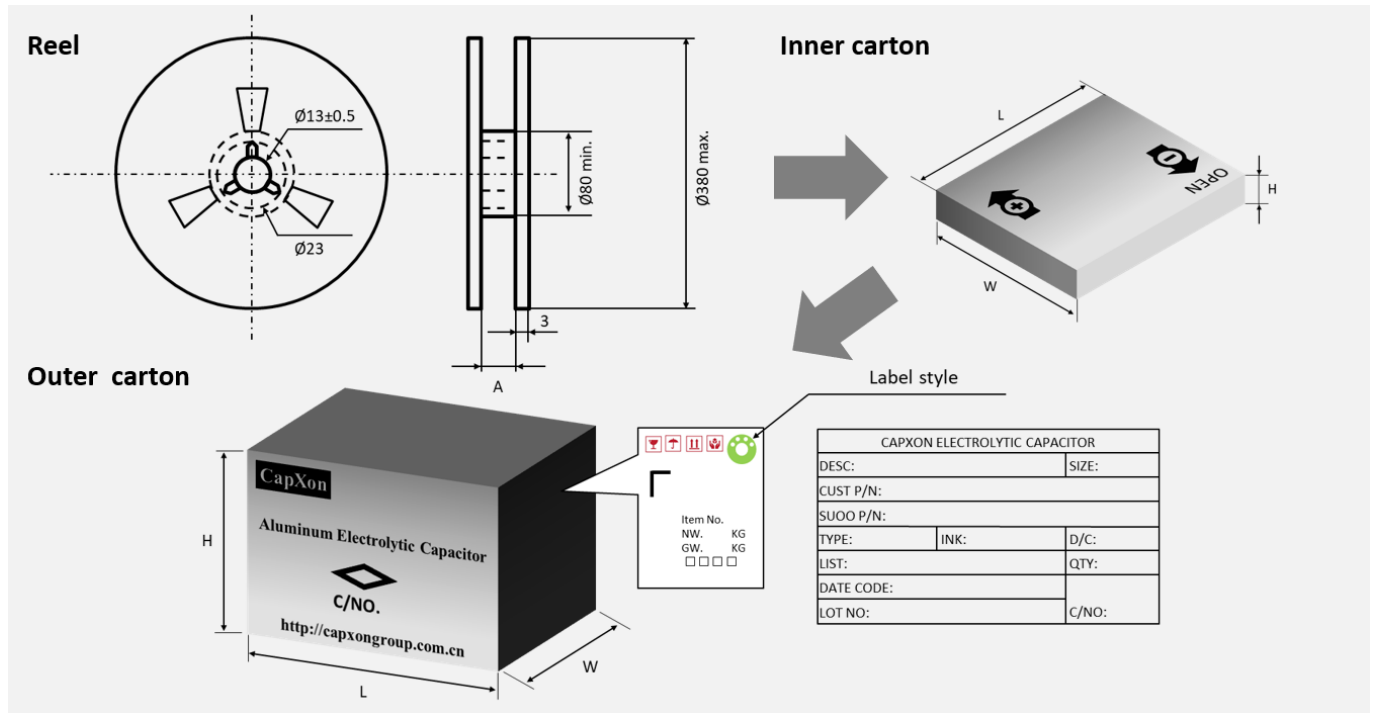


All dimensions in mm

| $\phi D$ | 4 x 5.5 | 5 x 5.5 | 5 x 5.8 | 6.3 x 5.8 | 6.3 x 7.7 | 8 x 7.7 |
|----------|---------|---------|---------|-----------|-----------|---------|
| W        | 12      | 12      | 12      | 16        | 16        | 16      |
| P        | 8       | 12      | 12      | 12        | 12        | 12      |
| F        | 5.5     | 5.5     | 5.5     | 7.5       | 7.5       | 7.5     |
| A1       | 4.7     | 5.7     | 5.7     | 7         | 7         | 8.7     |
| B1       | 4.7     | 5.7     | 5.7     | 7         | 7         | 8.7     |
| T1       | 0.4     | 0.4     | 0.4     | 0.4       | 0.4       | 0.4     |
| T2       | 5.7     | 5.7     | 6.1     | 5.7       | 8         | 8.2     |

| $\phi D$ | 8 x 8.7 | 8 x 10.5 | 8 x 11.7 | 10 x 8.7 | 10 x 10.5 | 10 x 12.4 |
|----------|---------|----------|----------|----------|-----------|-----------|
| W        | 24      | 24       | 24       | 24       | 24        | 24        |
| P        | 16      | 16       | 16       | 16       | 16        | 16        |
| F        | 11.5    | 11.5     | 11.5     | 11.5     | 11.5      | 11.5      |
| A1       | 8.7     | 8.7      | 8.7      | 10.7     | 10.7      | 10.7      |
| B1       | 8.7     | 8.7      | 8.7      | 10.7     | 10.7      | 10.7      |
| T1       | 0.4     | 0.4      | 0.4      | 0.4      | 0.4       | 0.4       |
| T2       | 11      | 11       | 13       | 11       | 11        | 12.9      |

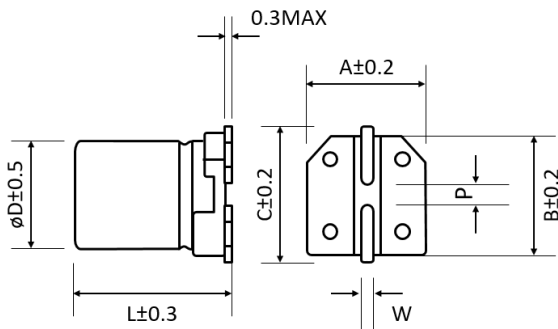
### TAPING • SMD CONDUCTIVE POLYMER CAPACITORS • REEL PACK



| Ø D (mm) | L (mm) | A (mm) | Reel quantity (pcs) | Inner box quantity (pcs) | Inner box size L x W x H (mm) | Outer box quantity (pcs) | Outer box size L x W x H (mm) | Country of origin | Tariff number |
|----------|--------|--------|---------------------|--------------------------|-------------------------------|--------------------------|-------------------------------|-------------------|---------------|
| 4        | 5.5    | 14     | 2000                | 10000                    | 400 x 390 x 106               | 30000                    | 474 x 343 x 285               | China             | 85322200      |
| 5        | 5.5    | 14     | 1000                | 5000                     | 400 x 390 x 106               | 15000                    | 474 x 343 x 285               | China             | 85322200      |
|          | 5.8    | 14     | 1000                | 5000                     | 400 x 390 x 106               | 15000                    | 474 x 343 x 285               | China             | 85322200      |
| 6.3      | 5.8    | 18     | 1000                | 4000                     | 400 x 390 x 106               | 12000                    | 474 x 343 x 285               | China             | 85322200      |
|          | 7.7    | 18     | 900                 | 3600                     | 400 x 390 x 106               | 10800                    | 474 x 343 x 285               | China             | 85322200      |
| 8        | 7.7    | 18     | 700                 | 2800                     | 400 x 390 x 106               | 8400                     | 474 x 343 x 285               | China             | 85322200      |
|          | 8.7    | 18     | 500                 | 1500                     | 400 x 390 x 106               | 4500                     | 474 x 343 x 285               | China             | 85322200      |
|          | 10.5   | 26     | 500                 | 1500                     | 400 x 390 x 106               | 4500                     | 474 x 343 x 285               | China             | 85322200      |
|          | 11.7   | 26     | 400                 | 1200                     | 400 x 390 x 106               | 3600                     | 474 x 343 x 285               | China             | 85322200      |
| 10       | 8.7    | 26     | 500                 | 1500                     | 400 x 390 x 106               | 4500                     | 474 x 343 x 285               | China             | 85322200      |
|          | 10.5   | 26     | 500                 | 1500                     | 400 x 390 x 106               | 4500                     | 474 x 343 x 285               | China             | 85322200      |
|          | 12.4   | 26     | 400                 | 1200                     | 400 x 390 x 106               | 3600                     | 474 x 343 x 285               | China             | 85322200      |

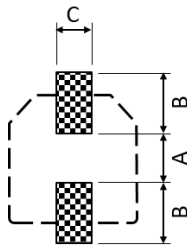
Remark: Standard = Paper reel  
 Plastic reel = Add code "U" at the end of the part number

## DIMENSIONS STANDARD PACKAGE ▀ All dimensions in mm



| $\phi D$ | L    | A    | B    | C    | W          | P $\pm 0.2$ |
|----------|------|------|------|------|------------|-------------|
| 4        | 5.5  | 4.3  | 4.3  | 5.1  | 0.5 to 0.8 | 1           |
| 5        | 5.5  | 5.3  | 5.3  | 5.9  | 0.5 to 0.8 | 1.4         |
| 5        | 5.8  | 5.3  | 5.3  | 5.9  | 0.5 to 0.8 | 1.4         |
| 6.3      | 5.8  | 6.5  | 6.5  | 7.2  | 0.5 to 0.8 | 2.2         |
| 6.3      | 7.7  | 6.5  | 6.5  | 7.2  | 0.5 to 0.8 | 2.2         |
| 8        | 7.7  | 8.3  | 8.3  | 9.0  | 0.7 to 1.1 | 3.1         |
| 8        | 8.7  | 8.3  | 8.3  | 9.0  | 0.7 to 1.1 | 3.1         |
| 8        | 10.5 | 8.3  | 8.3  | 9.0  | 0.7 to 1.1 | 3.1         |
| 8        | 11.7 | 8.3  | 8.3  | 9.0  | 0.7 to 1.1 | 3.1         |
| 10       | 8.7  | 10.3 | 10.3 | 11.0 | 0.7 to 1.1 | 4.5         |
| 10       | 10.5 | 10.3 | 10.3 | 11.0 | 0.7 to 1.1 | 4.5         |
| 10       | 12.4 | 10.3 | 10.3 | 11.0 | 0.7 to 1.1 | 4.5         |

## PAD LAYOUT STANDARD PACKAGE ▀ All dimensions in mm



| $\phi D$ | L    | A   | B   | C   |
|----------|------|-----|-----|-----|
| 4        | 5.5  | 1   | 2.6 | 1.6 |
| 5        | 5.5  | 1.4 | 3.0 | 1.6 |
| 5        | 5.8  | 1.4 | 3.0 | 1.6 |
| 6.3      | 5.8  | 2.1 | 3.5 | 1.6 |
| 6.3      | 7.7  | 2.1 | 3.5 | 1.6 |
| 8        | 7.8  | 2.8 | 4.2 | 1.9 |
| 8        | 10.5 | 2.8 | 4.2 | 1.9 |
| 8        | 11.7 | 2.8 | 4.2 | 1.9 |
| 10       | 8.7  | 4.3 | 4.4 | 1.9 |
| 10       | 10.5 | 4.3 | 4.4 | 1.9 |
| 10       | 12.4 | 4.3 | 4.4 | 1.9 |