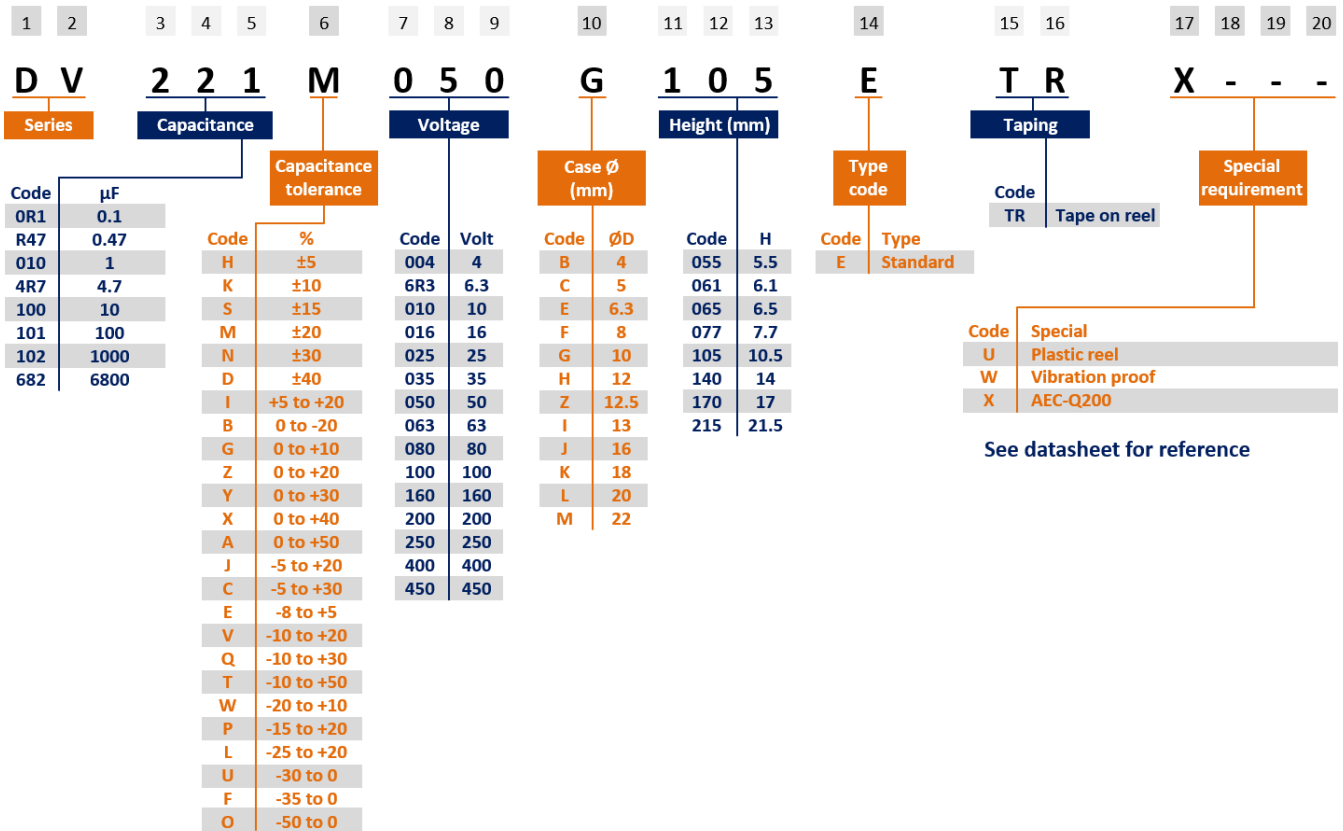


PRODUCT CODE - SMD ALUMINUM ELECTROLYTIC CAPACITORS



SMD type example:

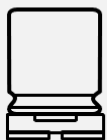
DV series ▪ 220µF ▪ 50V ▪ ±20% ▪ Ø 10mm ▪ L 10.5mm ▪ Tape & Reel ▪ AEC-Q200



Please consult CapXon for further assistance

MARKING - SMD ALUMINUM ELECTROLYTIC CAPACITORS

Aluminum Electrolytic Capacitor - SMD type



220: Nominal capacitance (µF)
 50V: Rated voltage (V) ▪ Standard type
 50X: Rated voltage (V) ▪ AEC-Q200 type
 (-) polarity (Cathode indicate)
 D: DV Series
 96: Production datacode year/month (ex. 2019/June)

Top view
Standard type



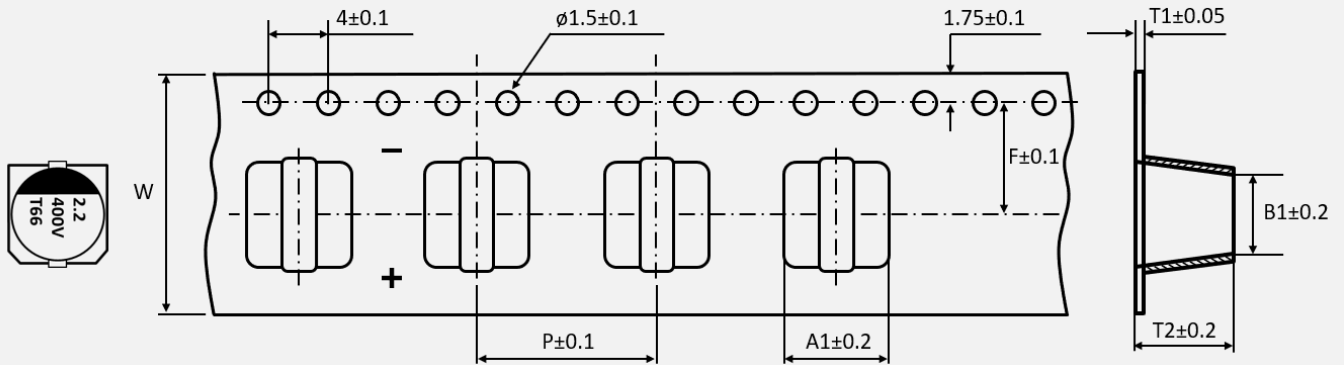
Top view
AEC-Q200 type



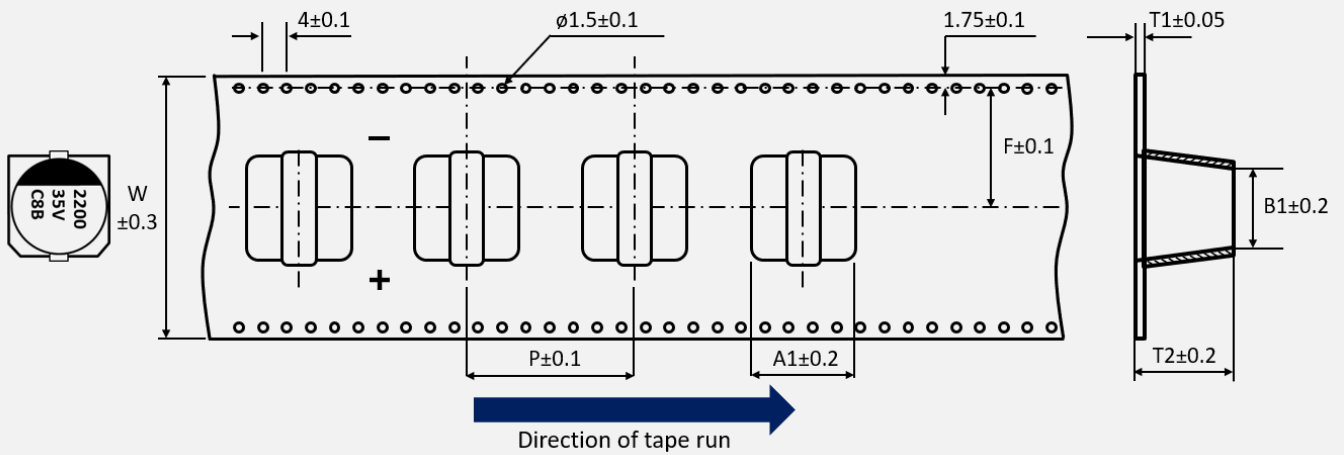
Digits	Description
1 st	Last digit of the year
2 nd	Month 1, 2, 3...9, A (10), B (11), C (12)

TAPING • SMD ALUMINUM ELECTROLYTIC CAPACITORS • REEL PACK

SMD taping • ϕD 4mm to 10mm



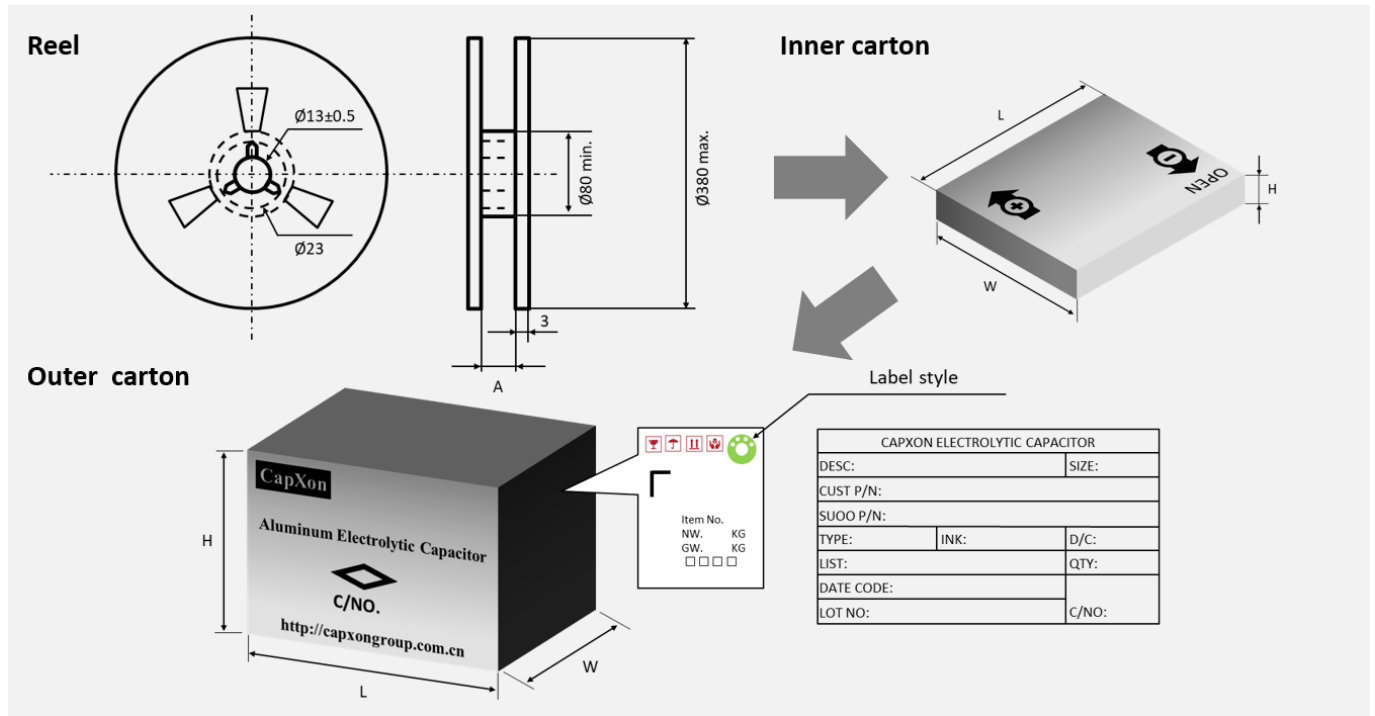
SMD taping • $\phi D \geq 12.5$ mm



All dimensions in mm

$\phi D \times L$	4 x 5.5	5 x 5.5	6.3 x 5.5	6.3 x 6.1	6.3 x 7.7	8 x 6.5	8 x 10.5	10 x 10.5	12.5 x 14	16 x 17	16 x 21.5	18 x 16.5	18 x 21.5
W	12	12	16	16	16	16	24	24	32	44	44	44	44
P	8	12	12	12	12	12	16	16	24	28	32	32	32
F	5.5	5.5	7.5	7.5	7.5	7.5	11.5	11.5	16	22	22	22	22
A1	4.7	5.7	7	7	7	8.7	8.7	10.7	13.9	17.5	17.5	19.9	19.9
B1	4.7	5.7	7	7	7	8.7	8.7	10.7	13.9	17.5	17.5	19.9	19.9
T1	0.4	0.4	0.4	0.4	0.4	0.4	0.4	0.4	0.5	0.5	0.5	0.5	0.5
T2	5.7	5.7	5.7	6.2	8	7	11	11	14.5	17.3	23	17.5	23

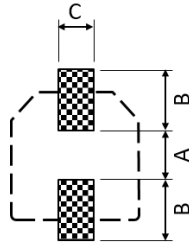
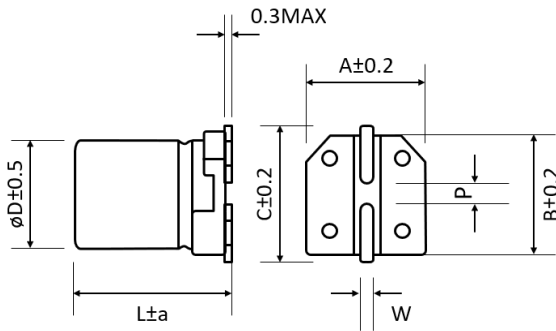
TAPING • SMD ALUMINUM ELECTROLYTIC CAPACITORS • REEL PACK



Ø D (mm)	L (mm)	A (mm)	Reel quantity (pcs)	Inner box quantity (pcs)	Inner box size L x W x H (mm)	Outer box quantity (pcs)	Outer box size L x W x H (mm)	Country of origin	Tariff number
4	5.5	14	2000	10000	400 x 390 x 106	30000	425 x 412 x 340	China	85322200
5	5.5	14	1000	5000	400 x 390 x 106	15000	425 x 412 x 340	China	85322200
6.3	5.5	18	1000	4000	400 x 390 x 106	12000	425 x 412 x 340	China	85322200
	6.1	18	1000	4000	400 x 390 x 106	12000	425 x 412 x 340	China	85322200
8	7.7	18	900	3600	400 x 390 x 106	10800	425 x 412 x 340	China	85322200
	6.5	18	1000	4000	400 x 390 x 106	12000	425 x 412 x 340	China	85322200
10	10.5	26	500	1500	400 x 390 x 106	4500	425 x 412 x 340	China	85322200
	10.5	26	500	1500	400 x 390 x 106	4500	425 x 412 x 340	China	85322200
12.5	14	34	200	600	400 x 390 x 130	1800	425 x 412 x 340	China	85322200
16	17	46	125	250	400 x 390 x 106	750	425 x 412 x 340	China	85322200
	21.5	46	100	200	400 x 390 x 106	600	425 x 412 x 340	China	85322200
18	16.5	46	125	250	400 x 390 x 106	750	425 x 412 x 340	China	85322200
	21.5	46	100	200	400 x 390 x 106	600	425 x 412 x 340	China	85322200

Remark: Standard = Paper reel
 Plastic reel = Add code "U" at the end of the part number

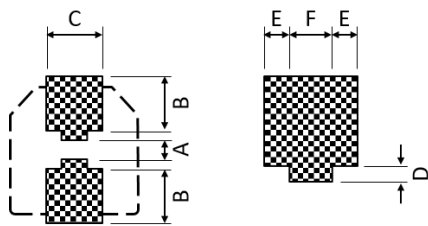
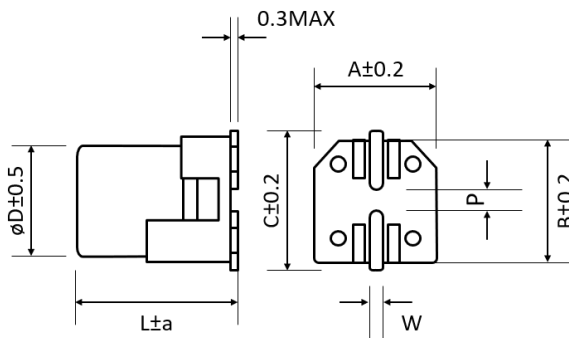
DIMENSIONS AND PAD LAYOUT STANDARD PACKAGE - All dimensions in mm



ϕD	L	a	A	B	C	W	P ± 0.2
4	5.5	Max	4.3	4.3	4.9	0.5 to 0.8	1
5	5.5	Max	5.3	5.3	5.9	0.5 to 0.8	1.4
6.3	5.5	0.2	6.6	6.6	7.2	0.5 to 0.8	2.2
6.3	6.1	Max	6.6	6.6	7.2	0.5 to 0.8	2.2
6.3	7.7	Max	6.6	6.6	7.2	0.5 to 0.8	2.2
8	6.5	Max	8.3	8.3	9	0.5 to 0.8	2.3
8	10.5	Max	8.3	8.3	9	0.7 to 1.1	3.1
10	10.5	Max	10.3	10.3	11	0.7 to 1.1	4.5
12.5	14	Max	13	13	13.9	1 to 1.4	4.5
16	17	0.5	17	17	18	1 to 1.4	6.6
16	21.5	0.5	17	17	18	1 to 1.4	6.6
18	16.5	0.5	19	19	20	1 to 1.4	6.6
18	21.5	0.5	19	19	20	1 to 1.4	6.6

ϕD	L	A	B	C
4	5.5	1	2.6	1.6
5	5.5	1.4	3	1.6
6.3	5.5	2.1	3.5	1.6
6.3	6.1	2.1	3.5	1.6
6.3	7.7	2.1	3.5	1.6
8	6.5	2.1	4.5	1.6
8	10.5	2.8	4.2	1.9
10	10.5	4.3	4.4	1.9
12.5	14	4.3	5.8	2.5
16	17	6	6.5	3.5
16	21.5	6	6.5	3.5
18	16.5	6	7.5	3.5
18	21.5	6	7.5	3.5

DIMENSIONS AND PAD LAYOUT VIBRATION-PROOF PACKAGE - All dimensions in mm



ϕD	L	a	A	B	C	W	P ± 0.2
6.3	6.1	0.5	6.6	6.6	7.2	0.5 to 0.8	2.2
6.3	7.7	0.5	6.6	6.6	7.2	0.5 to 0.8	2.2
8	6.5	0.5	8.3	8.3	9.0	0.7 to 1.1	3.1
8	10.5	0.5	8.3	8.3	9.0	0.7 to 1.1	3.1
10	10.5	0.5	10.5	10.5	11.2	0.7 to 1.1	4.5
12.5	14	0.5	13	13	13.9	1 to 1.4	5.5
16	17	0.5	17	17	18	1 to 1.4	7.5
16	21.5	0.5	17	17	18	1 to 1.4	7.5
18	16.5	0.5	19	19	20	1 to 1.4	7.5
18	21.5	0.5	19	19	20	1 to 1.4	7.5

ϕD	L	A	B	C	D	E	F
6.3	6.1	1.8	3.7	4.5	0.8	0.8	1.7
6.3	7.7	1.8	3.7	4.5	0.8	0.8	1.7
8	6.5	2.5	4.5	5	0.8	1.1	2.3
8	10.5	2.5	4.5	5	0.8	1.1	2.3
10	10.5	3	5	5.5	0.8	1.3	2.4
12.5	14	3.5	5.5	8	1	2.6	2.8
16	17	5	7.6	11	1.2	4.1	2.8
16	21.5	5	7.6	11	1.2	4.1	2.8
18	16.5	5	7.6	11	2.2	4.1	2.8
18	21.5	5	7.6	11	2.2	4.1	2.8