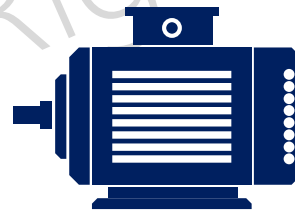


White Goods



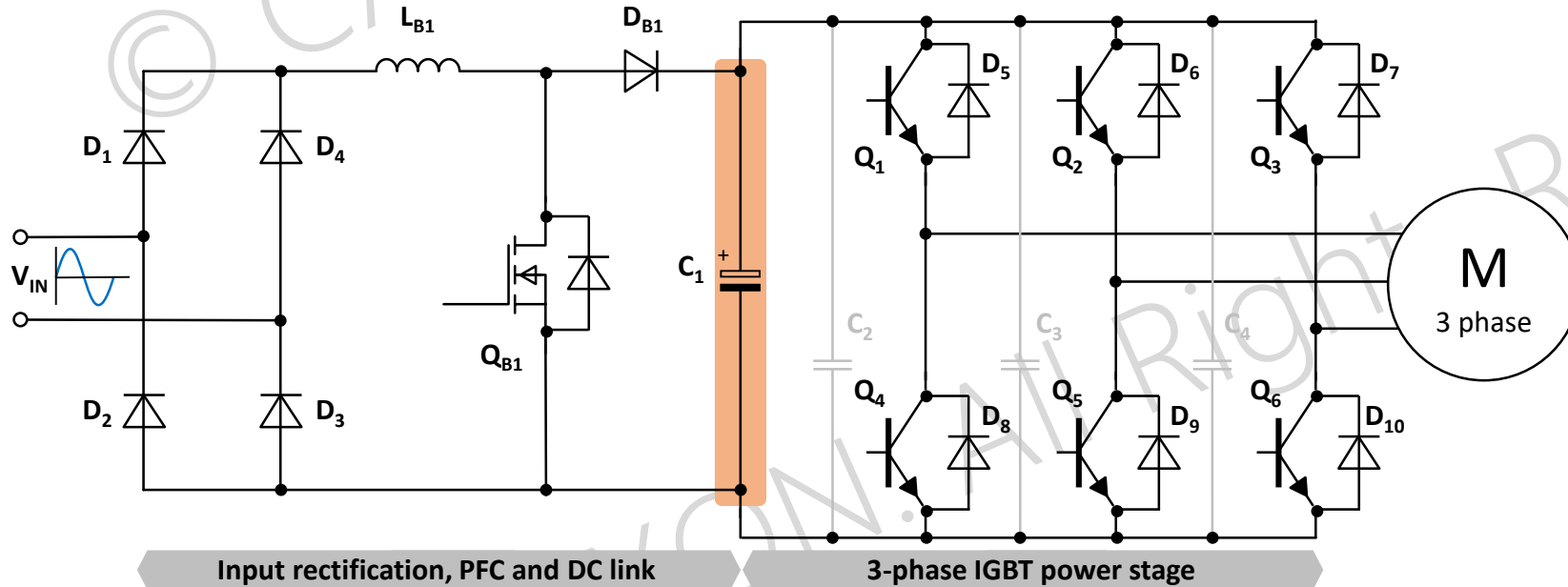
Motor control

Washing Machine – Example motor drive



Motor drive

Function	Output smoothing
Request on the capacitor	High voltage
	High ripple current
	High vibration resistance
	Low power dissipation
Recommended series	UC, DU, UK, UL



Designator	Circuit	Purpose	Specification	Recommended series	Partnumber	Manufacturer
C1	DC link	Output smoothing	E-Cap 560µF, 450V, 85°C, +/-20%, D35xL55, 2.82A, Snap-in	UC	UC561M450P550A	CapXon
C1	DC link	Output smoothing	E-Cap 470µF, 500V, 85°C, +/-20%, D35xL55, 2.99A, Snap-in	DU	UD471M500P550A	CapXon
C1	DC link	Output smoothing	E-Cap 680µF, 450V, 105°C, +/-20%, D35xL60, 3.64A, Snap-in	UK	UK681M450P600A	CapXon
C1	DC link	Output smoothing	E-Cap 820µF, 450V, 105°C, +/-20%, D40xL65, 3A, Snap-in	UL	UL821M450Q650A	CapXon