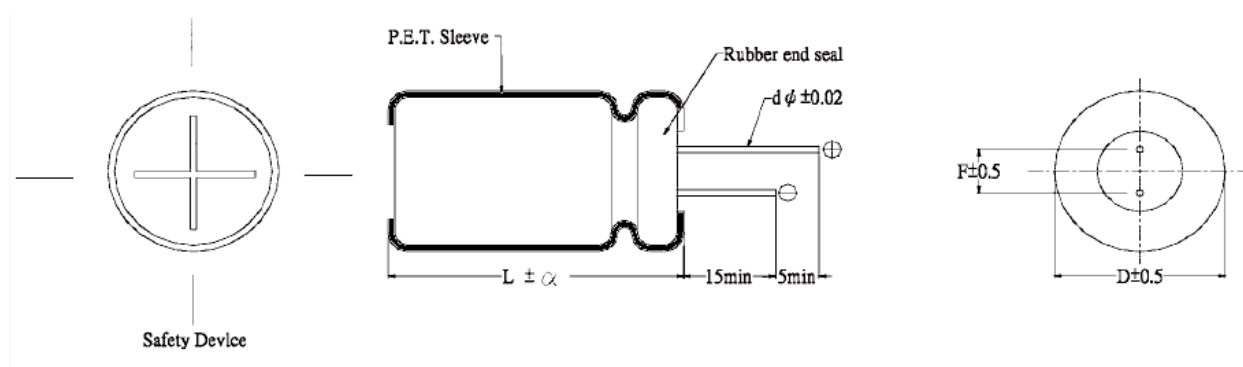


Package Specification

Radial Type – Standard



Unit: mm

α	D < 16	D = 16		D = 18		D > 18
		L=25~35.5	L<25, L≥40	L=25~31.5	L<25, L≥35.5	
	1.5	1.5	2.0	1.5	2.0	2.0

Unit: mm

D	4	5	6.3	8	10	13	16	18	22	25
F	1.5	2.0	2.5	3.5	5.0	5.0	7.5	7.5	10.0	12.5
d	0.45	0.5	L < 20	L ≥ 20	0.6	0.8		1.0		
			0.5	0.6						

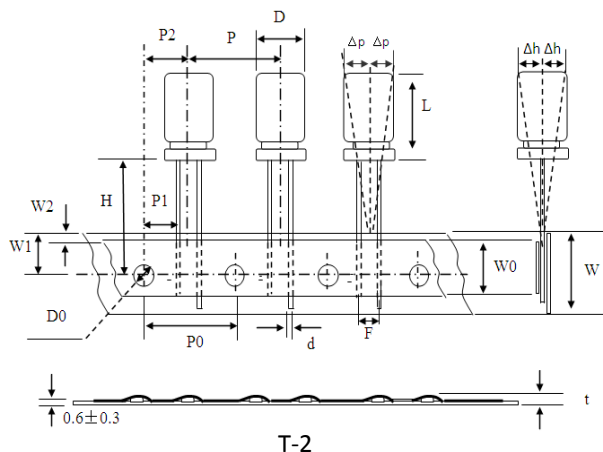
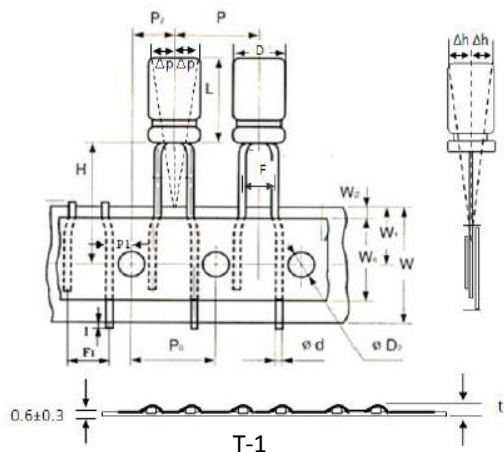
Package Specification

Radial Type – Bulk Package

D x L (mm)	Inner Box Quantity(pcs)	Inner Box Size (mm)	Outer Carton Quantity(pcs)	Outer Carton Size (mm)
4 x 5	1000	170x70x70	12000	295x181x222
4 x 7	1000	170x70x70	12000	295x181x222
5 x 5	1000	170x70x70	12000	295x181x222
5 x 7	800	170x70x70	9600	295x181x222
5 x 8	800	170x70x70	9600	295x181x222
5 x 9	700	170x70x70	8400	295x181x222
5 x 11	600	170x70x70	7200	295x181x222
6.3 x 5.2	800	170x70x70	9600	295x181x222
6.3 x 6	800	170x70x70	9600	295x181x222
6.3 x 7	800	170x70x70	9600	295x181x222
6.3 x 8	600	170x70x70	7200	295x181x222
6.3 x 9	600	170x70x70	7200	295x181x222
6.3 x 11	500	170x70x70	6000	295x181x222
8 x 8	500	170x70x70	6000	295x181x222
8 x 11.5	300	170x70x70	3600	295x181x222
10 x 7	300	170x70x70	3600	295x181x222
10 x 10	300	170x70x70	3600	295x181x222
10 x 12.5	200	170x70x70	2400	295x181x222

Package Specification

Radial Type – Taping



Unit: mm

Code	D	L	d	P	P0	P1	P2	F	W	W0	W1	W2	H	D0	Δh	ΔP	t	code	Fig
Tol.	±0.5	Max	±0.02	±1.0	±0.2	±0.7	±1.3	0.4 -0.2	±0.5	±0.5	±0.5	Max	0.75 -0.5	±0.2	Max	Max	Max		
Item	4	5-7(+1)	0.45	12.7	12.7	5.35	6.35	2	18	11	9	2	18.5	4	1	1	1.5	TB	T-1
		5.1				2.5		TC											
	5	5-7(+1)	0.45	12.7	12.7	4.6	6.35	2.5	18	11	9	2	18.5	4	1	1	1.5	TC	
		9(+1.0)																	
		11(+1.5)	0.6																

Unit: mm

Code	D	L	d	P	P0	P1	P2	F	W	W0	W1	W2	H	D0	Δh	ΔP	t	code	Fig	
Tol.	±0.5	Max	±0.02	±1.0	±0.2	±0.7	±1.3	0.4 -0.2	±0.5	±0.5	±0.5	Max	0.75 -0.5	±0.2	Max	Max	Max			
Item	5	5-7(+1)	0.45	12.7	12.7	5.35	6.35	2	18	11	9	2	18.5	4	1	1	1.5	TB	T-2	
		9(+1.0)																0.5		TC
		11(+1.5)																0.6		
	6.3	5-7(+1)	0.45	12.7	12.7	5.1	6.35	2.5	18	11	9	2	18.5	4	1	1	1.5	TC		
		8(+1)																0.6		
		9(+1)*																0.5		
		11-15(±1.5)																0.6		
	8	7-8(+1)	0.6	12.7	12.7	4.6	6.35	3.5	18	11	9	2	18.5	4	1	1	1.5	TD		
		11.5(+1.5)*																0.6		
		14-20(±1.5)																0.6		
10	7-20(±1.5)	0.6	12.7	12.7	3.85	6.35	5	18	11	9	2	18.5	4	1	1	1.5	TA			

Package Specification

Radial Type – Taping Ammo Package

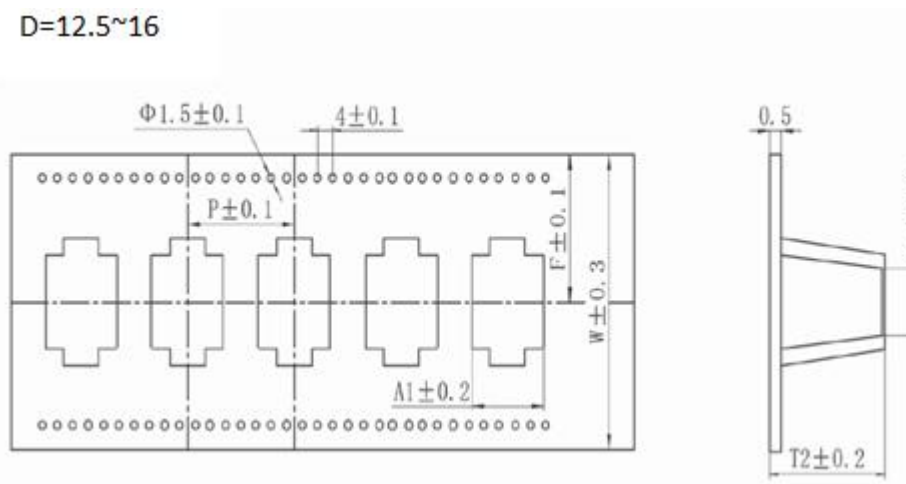
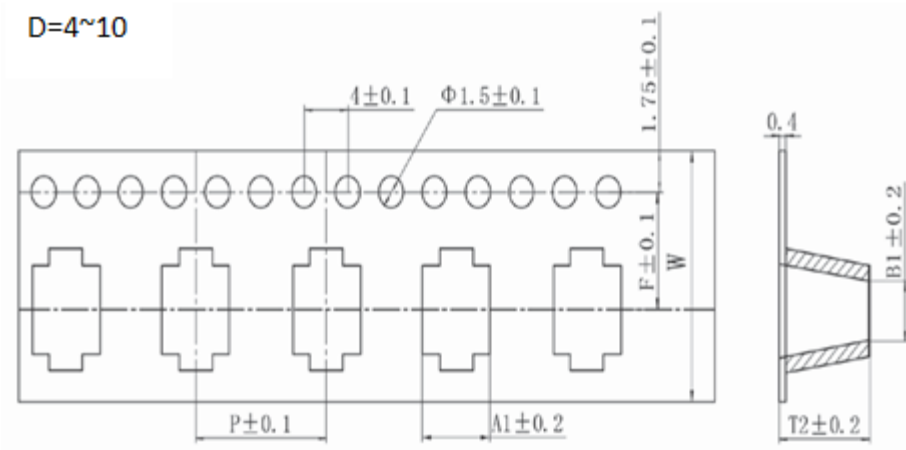
D (mm)	Inner Box Quantity(pcs)	Inner Box Size (mm)	Outer Carton Quantity(pcs)	Outer Carton Size (mm)
4	2500	331x227x51	25000	474x343x285
5	2000	331x227x51	20000	474x343x285
6.3	1500	331x227x51	15000	474x343x285
8	800	331x227x51	8000	474x343x285
10	600	331x227x51	6000	474x343x285

Radial Type – Cutting Package

D x L (mm)	Inner Box Quantity(pcs)	Inner Box Size (mm)	Outer Carton Quantity(pcs)	Outer Carton Size (mm)
4 x 5	1500	170x70x70	18000	295x181x222
4 x 7	1500	170x70x70	18000	295x181x222
5 x 5	1500	170x70x70	18000	295x181x222
5 x 7	1500	170x70x70	18000	295x181x222
5 x 8	1000	170x70x70	12000	295x181x222
5 x 9	1000	170x70x70	12000	295x181x222
5 x 11	1000	170x70x70	12000	295x181x222
6.3 x 5.2	1200	170x70x70	14400	295x181x222
6.3 x 6	1000	170x70x70	12000	295x181x222
6.3 x 7	1000	170x70x70	12000	295x181x222
6.3 x 8	800	170x70x70	9600	295x181x222
6.3 x 9	800	170x70x70	9600	295x181x222
6.3 x 11	800	170x70x70	9600	295x181x222
8 x 8	600	170x70x70	7200	295x181x222
8 x 11.5	500	170x70x70	6000	295x181x222
10 x 7	500	170x70x70	6000	295x181x222
10 x 10	400	170x70x70	4800	295x181x222
10 x 12.5	300	170x70x70	3600	295x181x222

Package Specification

SMD Type



Unit: mm

D	4x5.5	5x5.5	5x5.8	6.3x4.2	6.3x5.8	6.3x7.7	8x7.7	8x8.7	8x10.5	8x11.7	10x8.7	10x10.5	10x12.4
W	12	12	12	16	16	16	16	24	24	24	24	24	24
P	8	12	12	12	12	12	12	16	16	16	16	16	16
F	5.5	5.5	5.5	11	7.5	7.5	7.5	11.5	11.5	11.5	11.5	11.5	11.5
A ₁	4.7	5.7	5.7	7	7	7	8.7	8.7	8.7	8.7	10.7	10.7	10.7
B ₁	4.7	5.7	5.7	7	7	7	8.7	8.7	8.7	8.7	10.7	10.7	10.7
T ₂	5.7	5.7	6.1	4.8	6.2	8.1	8.2	11	11	13	11	11	12.9

Package Specification

SMD Type Package

D x L (mm)	Reel (pcs)	Inner Box Quantity(pcs)	Inner Box Size (mm)	Outer Carton Quantity(pcs)	Outer Carton Size (mm)	Remark
4 x 5.5	2000	10000	400x390x106	30000	425x412x340	Standard = Paper Reel Plastic = Available on request
5 x 5.5	1000	5000	400x390x106	15000	425x412x340	
5 x 5.8	1000	5000	400x390x106	15000	425x412x340	
6.3 x 4.2	1000	4000	400x390x106	12000	425x412x340	
6.3 x 5.8	1000	4000	400x390x106	12000	425x412x340	
6.3 x 7.7	900	3600	400x390x106	10800	425x412x340	
8 x 7.7	700	2800	400x390x106	8400	425x412x340	
8 x 8.7	500	1500	400x390x106	4500	425x412x340	
8 x 10.5	500	1500	400x390x106	4500	425x412x340	
8 x 11.7	400	1200	400x390x106	3600	425x412x340	
10 x 8.7	500	1500	400x390x106	4500	425x412x340	
10 x 10.5	500	1500	400x390x106	4500	425x412x340	
10 x 12.4	400	1200	400x390x106	3600	425x412x340	