

### LR SERIES ▪ STANDARD, AUDIO 85°C TYPE

#### KEY FEATURES

- ALUMINUM ELECTROLYTIC CAPACITOR ▪ Snap-In type
- Endurance: 85°C ▪ 2 000 hours
- Small dimensions
- Especially for audio applications
- Designed to improve audio frequency characteristics and downgrade signal noise



#### SPECIFICATIONS

Items		Performance Characteristics							
Operating Temperature Range		-40 ~ +85°C							
Rated Voltage Range	$V_R$	16 ~ 100V DC							
Surge Voltage	$V_S$	$V_S = 1.15 \cdot V_R$							
Capacitance Range	$C_R$	680 ~ 33000 $\mu$ F							
Cap. Tolerance	$\Delta C$	$\pm 20\%$ (120Hz ▪ 20°C)							
Leakage Current (20°C ▪ $V_R$ applied)	$I_{LEAK}$	$\leq 3 \cdot \sqrt{C_R \cdot V_R}$ ▪ After 5 minutes [ $I_{LEAK}$ ( $\mu$ A) ; $C_R$ ( $\mu$ F) ; $V_R$ (V) ]							
Dissipation Factor % (20°C ▪ 120Hz)	tan $\delta$	$\mu$ F / V DC	16	25	35	50	63	80	100
		$\leq 8200$	35	30	25	20	20	15	15
		10000 ~ 22000	40	35	30	30	25	20	-
		$\geq 27000$	40	35	35	30	25	-	-
Low Temperature Characteristics at 120Hz	Z ratio max.	$V_R$ (V DC)	16	25	35	50	63	80	100
		Z-25°C/Z+20°C	5	4	4	4	4	4	4
		Z-40°C/Z+20°C	15	15	12	12	12	12	12

Lifetime Test			
Endurance 85°C ( $V_R$ applied)	Test	<b>2 000 hours</b>	
	$\Delta C/C_R$	$\leq \pm 25\%$ of initial measured value	
	tan $\delta$	$\leq 200\%$ of initial specified value	
	$I_{Leak}$	$\leq$ the initial specified value	
Shelf Life 85°C ( $V_R = 0$ )	Test	<b>1 000 hours</b>	
	$\Delta C/C_R$	$\leq \pm 25\%$ of initial measured value	
	tan $\delta$	$\leq 200\%$ of initial specified value	
	$I_{Leak}$	$\leq$ the initial specified value	
Before measurement: Restore capacitor to 20°C, apply $V_R$ for 30 min according JIS-C-5101-4			

**STANDARD RATINGS**

$V_R$ (V)	$C_R$ ( $\mu$ F)	$\phi$ D (mm)	L (mm)	$I_R$ - Max. Ripple Current +85°C • 120Hz (mA rms)	CapXon Part Number
16	1200	22	20	950	LR122M016M200A □□
	1500	25	20	1100	LR152M016N200A □□
	1800	22	25	1200	LR182M016M250A □□
	2200	30	20	1350	LR222M016O200A □□
	2700	25	25	1750	LR272M016N250A □□
	3300	22	20	1500	LR332M016M200A □□
	3300	25	30	2000	LR332M016N300A □□
	3300	35	20	1950	LR332M016P200A □□
	3900	22	45	2300	LR392M016M450A □□
	3900	25	20	1550	LR392M016N200A □□
	3900	25	35	2350	LR392M016N350A □□
	3900	30	25	2350	LR392M016O250A □□
	4700	22	20	1350	LR472M016M200A □□
	4700	22	25	1750	LR472M016M250A □□
	4700	22	50	2750	LR472M016M500A □□
	4700	25	40	2700	LR472M016N400A □□
	4700	30	30	2700	LR472M016O300A □□
	4700	35	25	2600	LR472M016P250A □□
	5600	25	45	2900	LR562M016N450A □□
	5600	30	20	1850	LR562M016O200A □□
	5600	30	35	2900	LR562M016O350A □□
	6800	22	30	2200	LR682M016M300A □□
	6800	25	20	1700	LR682M016N200A □□
	6800	25	25	2150	LR682M016N250A □□
	6800	25	50	3200	LR682M016N500A □□
	6800	30	40	3200	LR682M016O400A □□
	6800	35	30	3150	LR682M016P300A □□
	8200	22	25	1900	LR822M016M250A □□
	8200	22	35	2400	LR822M016M350A □□
	8200	25	30	2300	LR822M016N300A □□
	8200	30	45	3350	LR822M016O450A □□
	8200	35	20	2250	LR822M016P200A □□
	8200	35	35	3300	LR822M016P350A □□
	10000	22	30	2050	LR103M016M300A □□
	10000	22	40	2650	LR103M016M400A □□
	10000	25	25	2000	LR103M016N250A □□
	10000	25	35	2450	LR103M016N350A □□
	10000	30	20	2100	LR103M016O200A □□
	10000	30	25	2500	LR103M016O250A □□
	10000	35	40	3500	LR103M016P400A □□
12000	22	35	2200	LR123M016M350A □□	
12000	22	50	2750	LR123M016M500A □□	
12000	25	30	2150	LR123M016N300A □□	
12000	25	40	2750	LR123M016N400A □□	

□□: See description at end of standard ratings

**STANDARD RATINGS**

$V_R$ (V)	$C_R$ ( $\mu$ F)	$\phi$ D (mm)	L (mm)	$I_R$ - Max. Ripple Current +85°C • 120Hz (mA rms)	CapXon Part Number
16	12000	30	30	2720	LR123M016O300A □□
	12000	35	20	2100	LR123M016P200A □□
	12000	35	40	3500	LR123M016P400A □□
	12000	35	45	3700	LR123M016P450A □□
	15000	22	40	2500	LR153M016M400A □□
	15000	25	35	2400	LR153M016N350A □□
	15000	25	45	3100	LR153M016N450A □□
	15000	30	25	2500	LR153M016O250A □□
	15000	30	35	3100	LR153M016O350A □□
	18000	22	45	2800	LR183M016M450A □□
	18000	25	40	2600	LR183M016N400A □□
	18000	25	50	3500	LR183M016N500A □□
	18000	30	30	2650	LR183M016O300A □□
	18000	30	40	3400	LR183M016O400A □□
	18000	35	30	3450	LR183M016P300A □□
	22000	25	45	2950	LR223M016N450A □□
	22000	30	35	2900	LR223M016O350A □□
	22000	30	45	3800	LR223M016O450A □□
	22000	35	25	2900	LR223M016P250A □□
	22000	35	35	3800	LR223M016P350A □□
	27000	25	50	3400	LR273M016N500A □□
	27000	30	40	3250	LR273M016O400A □□
	27000	30	50	4250	LR273M016O500A □□
	27000	35	30	3350	LR273M016P300A □□
27000	35	40	4250	LR273M016P400A □□	
33000	30	45	3700	LR333M016O450A □□	
33000	35	35	3650	LR333M016P350A □□	
33000	35	45	4500	LR333M016P450A □□	
25	820	22	20	750	LR821M025M200A □□
	1000	25	20	950	LR102M025N200A □□
	1500	30	20	1300	LR152M025O200A □□
	1800	25	25	1550	LR182M025N250A □□
	2200	22	35	1850	LR222M025M350A □□
	2200	25	20	1500	LR222M025N200A □□
	2200	25	30	1800	LR222M025N300A □□
	2200	30	25	1800	LR222M025O250A □□
	2200	35	20	1750	LR222M025P200A □□
	2700	22	25	1700	LR272M025M250A □□
	2700	22	45	2200	LR272M025M450A □□
	2700	25	35	2150	LR272M025N350A □□
	3300	22	20	1500	LR332M025M200A □□
	3300	22	30	1800	LR332M025M300A □□
	3300	22	50	2500	LR332M025M500A □□
	3300	25	40	2450	LR332M025N400A □□

□□: See description at end of standard ratings

**STANDARD RATINGS**

$V_R$ (V)	$C_R$ ( $\mu$ F)	$\phi$ D (mm)	L (mm)	$I_r$ - Max. Ripple Current +85°C • 120Hz (mA rms)	CapXon Part Number
25	3300	30	20	1850	LR332M025O200A □□
	3300	30	30	2400	LR332M025O300A □□
	3300	35	25	2450	LR332M025P250A □□
	3900	25	20	1550	LR392M025N200A □□
	3900	25	25	1100	LR392M025N250A □□
	3900	25	45	2800	LR392M025N450A □□
	3900	30	35	2800	LR392M025O350A □□
	4700	22	25	1700	LR472M025M250A □□
	4700	22	35	2300	LR472M025M350A □□
	4700	25	30	2250	LR472M025N300A □□
	4700	30	40	3250	LR472M025O400A □□
	4700	35	20	2200	LR472M025P200A □□
	4700	35	30	3150	LR472M025P300A □□
	5600	22	40	2500	LR562M025M400A □□
	5600	25	35	2400	LR562M025N350A □□
	5600	30	20	1850	LR562M025O200A □□
	5600	30	25	2500	LR562M025O250A □□
	5600	30	45	3500	LR562M025O450A □□
	5600	35	35	3500	LR562M025P350A □□
	6800	22	30	2200	LR682M025M300A □□
	6800	22	50	2650	LR682M025M500A □□
	6800	25	25	2150	LR682M025N250A □□
	6800	25	40	2650	LR682M025N400A □□
	6800	30	30	2650	LR682M025O300A □□
	6800	35	40	3800	LR682M025P400A □□
	8200	22	35	2350	LR822M025M350A □□
	8200	25	30	2300	LR822M025N300A □□
	8200	25	45	2900	LR822M025N450A □□
	8200	30	35	2850	LR822M025O350A □□
	8200	35	20	2250	LR822M025P200A □□
	8200	35	25	3050	LR822M025P250A □□
	8200	35	45	4000	LR822M025P450A □□
	10000	22	40	2650	LR103M025M400A □□
	10000	25	35	2500	LR103M025N350A □□
	10000	25	50	3300	LR103M025N500A □□
	10000	30	25	2650	LR103M025O250A □□
10000	30	40	3300	LR103M025O400A □□	
10000	35	30	3300	LR103M025P300A □□	
12000	22	45	2900	LR123M025M450A □□	
12000	25	40	2750	LR123M025N400A □□	
12000	30	30	2800	LR123M025O300A □□	
12000	30	45	3550	LR123M025O450A □□	
12000	35	25	2650	LR123M025P250A □□	
12000	35	35	3500	LR123M025P350A □□	

□□: See description at end of standard ratings

**STANDARD RATINGS**

$V_R$ (V)	$C_R$ ( $\mu$ F)	$\phi$ D (mm)	L (mm)	$I_r$ - Max. Ripple Current +85°C • 120Hz (mA rms)	CapXon Part Number
25	15000	25	25	3150	LR153M025N450A □□
	15000	25	30	3100	LR153M025O350A □□
	15000	25	30	4150	LR153M025O500A □□
	15000	25	35	4000	LR153M025P400A □□
	18000	25	25	3550	LR183M025N500A □□
	18000	25	30	3400	LR183M025O400A □□
	18000	25	35	3500	LR183M025P300A □□
	18000	25	35	4450	LR183M025P450A □□
	22000	25	30	3850	LR223M025O450A □□
	22000	25	35	3850	LR223M025P350A □□
	27000	25	35	4300	LR273M025P400A □□
33000	25	35	4850	LR333M025P450A □□	
35	820	35	25	850	LR821M035N200A □□
	1000	35	22	1000	LR102M035M250A □□
	1200	35	22	1300	LR122M035M200A □□
	1200	35	22	1450	LR122M035M300A □□
	1200	35	25	1400	LR122M035N250A □□
	1200	35	30	1400	LR122M035O200A □□
	1500	35	22	1550	LR152M035M350A □□
	1500	35	25	1550	LR152M035N300A □□
	1800	35	22	1550	LR182M035M250A □□
	1800	35	22	1450	LR182M035M400A □□
	1800	35	25	1650	LR182M035N200A □□
	1800	35	30	1750	LR182M035O250A □□
	1800	35	35	1700	LR182M035P200A □□
	2200	35	22	1950	LR222M035M450A □□
	2200	35	25	1950	LR222M035N350A □□
	2200	35	30	1950	LR222M035O300A □□
	2700	35	22	2050	LR272M035M300A □□
	2700	35	25	2000	LR272M035N250A □□
	2700	35	25	2350	LR272M035N450A □□
	2700	35	30	2050	LR272M035O200A □□
	2700	35	30	2300	LR272M035O350A □□
	2700	35	35	2300	LR272M035P250A □□
	3300	35	22	1750	LR332M035M250A □□
	3300	35	22	2250	LR332M035M350A □□
	3300	35	25	2200	LR332M035N300A □□
	3300	35	25	2700	LR332M035N500A □□
	3300	35	30	2700	LR332M035O400A □□
	3300	35	35	2650	LR332M035P300A □□
3900	35	22	2400	LR392M035M400A □□	
3900	35	25	2300	LR392M035N350A □□	
3900	35	30	1850	LR392M035O200A □□	
3900	35	30	2400	LR392M035O250A □□	

□□: See description at end of standard ratings

**STANDARD RATINGS**

$V_R$ (V)	$C_R$ ( $\mu$ F)	$\phi$ D (mm)	L (mm)	$I_r$ - Max. Ripple Current +85°C • 120Hz (mA rms)	CapXon Part Number
35	3900	30	45	3000	LR392M035O450A □□
	3900	35	20	2500	LR392M035P200A □□
	3900	35	35	3000	LR392M035P350A □□
	4700	22	30	2200	LR472M035M300A □□
	4700	22	45	2700	LR472M035M450A □□
	4700	25	25	2150	LR472M035N250A □□
	4700	30	30	2550	LR472M035O300A □□
	4700	30	50	3550	LR472M035O500A □□
	4700	35	40	3550	LR472M035P400A □□
	5600	22	35	2350	LR562M035M350A □□
	5600	22	40	3000	LR562M035M400A □□
	5600	22	50	2600	LR562M035M500A □□
	5600	25	30	2250	LR562M035N300A □□
	5600	25	40	3000	LR562M035N400A □□
	5600	35	20	2250	LR562M035P200A □□
	5600	35	25	2850	LR562M035P250A □□
	5600	35	45	3800	LR562M035P450A □□
	6800	30	25	2600	LR682M035O250A □□
	6800	30	35	3300	LR682M035O350A □□
	6800	35	30	3050	LR682M035P300A □□
	6800	35	50	4150	LR682M035P500A □□
	8200	22	45	2900	LR822M035M450A □□
	8200	25	40	2700	LR822M035N400A □□
	8200	30	30	2750	LR822M035O300A □□
	8200	30	40	3600	LR822M035O400A □□
	8200	35	35	3300	LR822M035P350A □□
	10000	25	45	3050	LR103M035N450A □□
	10000	30	35	3000	LR103M035O350A □□
	10000	30	50	3800	LR103M035O500A □□
	10000	35	25	3200	LR103M035P250A □□
	10000	35	40	3700	LR103M035P400A □□
	12000	25	50	3450	LR123M035N500A □□
12000	30	40	3300	LR123M035O400A □□	
12000	35	30	3400	LR123M035P300A □□	
12000	35	35	4100	LR123M035P350A □□	
12000	35	45	3800	LR123M035P450A □□	
15000	30	45	3800	LR153M035O450A □□	
15000	35	50	4800	LR153M035P500A □□	
18000	30	50	4300	LR183M035O500A □□	
18000	35	40	4150	LR183M035P400A □□	
22000	35	45	4700	LR223M035P450A □□	
50	680	22	25	1000	LR681M050M250A □□
	820	22	20	1000	LR821M050M200A □□
	820	22	30	1250	LR821M050M300A □□

□□: See description at end of standard ratings

**STANDARD RATINGS**

$V_R$ (V)	$C_R$ ( $\mu$ F)	$\phi$ D (mm)	L (mm)	$I_r$ - Max. Ripple Current +85°C • 120Hz (mA rms)	CapXon Part Number
50	820	25	20	1350	LR821M050N200A □□
	1000	25	20	1500	LR102M050N200A □□
	1500	22	20	1550	LR152M050M200A □□
	1500	22	30	1800	LR152M050M300A □□
	1500	22	45	2200	LR152M050M450A □□
	1500	25	35	2150	LR152M050N350A □□
	1500	30	20	1800	LR152M050O200A □□
	1500	30	25	2150	LR152M050O250A □□
	1800	22	50	2450	LR182M050M500A □□
	1800	25	20	1650	LR182M050N200A □□
	1800	25	25	2150	LR182M050N250A □□
	1800	25	40	2450	LR182M050N400A □□
	1800	35	25	2400	LR182M050P250A □□
	2200	22	25	1850	LR222M050M250A □□
	2200	22	35	2350	LR222M050M350A □□
	2200	25	30	2300	LR222M050N300A □□
	2200	25	50	2650	LR222M050N500A □□
	2200	30	35	2600	LR222M050O350A □□
	2200	35	20	2600	LR222M050P200A □□
	2200	35	30	2600	LR222M050P300A □□
	2700	22	45	2450	LR272M050M450A □□
	2700	25	35	2500	LR272M050N350A □□
	2700	30	25	2600	LR272M050O250A □□
	2700	30	45	3000	LR272M050O450A □□
	2700	35	35	2950	LR272M050P350A □□
	3300	22	35	2200	LR332M050M350A □□
	3300	22	50	2800	LR332M050M500A □□
	3300	25	40	2800	LR332M050N400A □□
	3300	30	30	2800	LR332M050O300A □□
	3300	30	50	3300	LR332M050O500A □□
	3300	35	40	3250	LR332M050P400A □□
	3900	22	40	2450	LR392M050M400A □□
	3900	25	30	2500	LR392M050N300A □□
3900	25	45	3000	LR392M050N450A □□	
3900	30	25	2350	LR392M050O250A □□	
3900	30	35	3000	LR392M050O350A □□	
3900	35	20	2450	LR392M050P200A □□	
3900	35	25	3150	LR392M050P250A □□	
3900	35	45	3500	LR392M050P450A □□	
4700	22	45	2600	LR472M050M450A □□	
4700	25	35	2700	LR472M050N350A □□	
4700	25	50	3400	LR472M050N500A □□	
4700	30	40	3300	LR472M050O400A □□	
4700	35	30	3350	LR472M050P300A □□	

□□: See description at end of standard ratings

**STANDARD RATINGS**

$V_R$ (V)	$C_R$ ( $\mu$ F)	$\phi$ D (mm)	L (mm)	$I_r$ - Max. Ripple Current +85°C • 120Hz (mA rms)	CapXon Part Number
50	4700	35	50	3900	LR472M050P500A □□
	5600	22	50	2900	LR562M050M500A □□
	5600	25	40	2900	LR562M050N400A □□
	5600	30	30	3000	LR562M050O300A □□
	5600	30	45	3600	LR562M050O450A □□
	5600	35	20	2850	LR562M050P200A □□
	5600	35	35	3600	LR562M050P350A □□
	6800	25	40	3300	LR682M050N400A □□
	6800	30	35	3250	LR682M050O350A □□
	6800	30	50	4100	LR682M050O500A □□
	6800	35	40	3950	LR682M050P400A □□
	8200	30	40	3550	LR822M050O400A □□
	8200	35	30	3650	LR822M050P300A □□
	8200	35	45	4400	LR822M050P450A □□
	10000	30	45	4000	LR103M050O450A □□
	10000	35	35	4000	LR103M050P350A □□
	10000	35	50	5500	LR103M050P500A □□
	12000	35	40	4350	LR123M050P400A □□
15000	35	50	4700	LR153M050P500A □□	
63	680	22	25	1750	LR681M063M250A □□
	820	22	20	1300	LR821M063M200A □□
	820	22	30	1900	LR821M063M300A □□
	820	25	20	1650	LR821M063N200A □□
	820	25	25	1850	LR821M063N250A □□
	820	30	20	1900	LR821M063O200A □□
	1000	22	25	1850	LR102M063M250A □□
	1000	22	35	2050	LR102M063M350A □□
	1000	25	30	2000	LR102M063N300A □□
	1200	22	30	1950	LR122M063M300A □□
	1200	22	40	2250	LR122M063M400A □□
	1200	25	20	1650	LR122M063N200A □□
	1200	25	25	1900	LR122M063N250A □□
	1200	30	20	1950	LR122M063O200A □□
	1200	30	25	2200	LR122M063O250A □□
	1200	35	20	2300	LR122M063P200A □□
	1500	22	25	1900	LR152M063M250A □□
	1500	22	35	2150	LR152M063M350A □□
	1500	22	45	2600	LR152M063M450A □□
	1500	25	30	2100	LR152M063N300A □□
	1500	25	35	2650	LR152M063N350A □□
	1800	22	30	2000	LR182M063M300A □□
	1800	22	40	2350	LR182M063M400A □□
	1800	22	50	2900	LR182M063M500A □□
1800	25	25	2000	LR182M063N250A □□	

□□: See description at end of standard ratings



**STANDARD RATINGS**

$V_R$ (V)	$C_R$ ( $\mu$ F)	$\phi$ D (mm)	L (mm)	$I_r$ - Max. Ripple Current +85°C • 120Hz (mA rms)	CapXon Part Number
63	1800	25	40	2900	LR182M063N400A □□
	1800	30	20	2050	LR182M063O200A □□
	1800	30	25	2350	LR182M063O250A □□
	1800	30	30	2900	LR182M063O300A □□
	1800	35	20	2450	LR182M063P200A □□
	1800	35	25	2700	LR182M063P250A □□
	2200	22	35	2200	LR222M063M350A □□
	2200	22	45	2700	LR222M063M450A □□
	2200	25	30	2150	LR222M063N300A □□
	2200	25	35	2750	LR222M063N350A □□
	2200	25	45	3250	LR222M063N450A □□
	2200	30	30	2500	LR222M063O300A □□
	2200	30	35	3200	LR222M063O350A □□
	2200	35	20	2100	LR222M063P200A □□
	2700	22	40	2450	LR272M063M400A □□
	2700	25	35	2350	LR272M063N350A □□
	2700	25	45	2800	LR272M063N450A □□
	2700	30	25	2500	LR272M063O250A □□
	2700	30	35	2750	LR272M063O350A □□
	2700	30	45	3300	LR272M063O450A □□
	2700	35	25	2950	LR272M063P250A □□
	2700	35	30	3650	LR272M063P300A □□
	3300	22	45	2800	LR332M063M450A □□
	3300	25	40	2600	LR332M063N400A □□
	3300	25	50	3200	LR332M063N500A □□
	3300	30	30	2700	LR332M063O300A □□
	3300	30	40	3200	LR332M063O400A □□
	3300	30	50	3800	LR332M063O500A □□
	3300	35	30	3150	LR332M063P300A □□
	3300	35	35	4000	LR332M063P350A □□
	3900	25	45	2850	LR392M063N450A □□
	3900	30	35	2850	LR392M063O350A □□
	3900	30	45	3350	LR392M063O450A □□
	3900	35	35	3350	LR392M063P350A □□
	3900	35	40	4300	LR392M063P400A □□
	4700	25	50	3200	LR472M063N500A □□
	4700	30	40	3100	LR472M063O400A □□
	4700	30	50	3800	LR472M063O500A □□
	4700	35	30	3200	LR472M063P300A □□
	4700	35	50	4500	LR472M063P500A □□
5600	30	45	3450	LR562M063O450A □□	
5600	35	35	3400	LR562M063P350A □□	
5600	35	40	4350	LR562M063P400A □□	
6800	30	50	3900	LR682M063O500A □□	

□□: See description at end of standard ratings

**STANDARD RATINGS**

$V_R$ (V)	$C_R$ ( $\mu$ F)	$\phi$ D (mm)	L (mm)	$I_R$ - Max. Ripple Current +85°C • 120Hz (mA rms)	CapXon Part Number
63	6800	35	40	3750	LR682M063P400A □□
	6800	35	50	4600	LR682M063P500A □□
	8200	35	45	4200	LR822M063P450A □□
	10000	35	50	4800	LR103M063P500A □□
80	680	22	35	2250	LR681M080M350A □□
	680	25	30	2150	LR681M080N300A □□
	820	22	30	2050	LR821M080M300A □□
	820	22	40	2450	LR821M080M400A □□
	820	25	20	1650	LR821M080N200A □□
	820	25	25	2000	LR821M080N250A □□
	820	25	35	2350	LR821M080N350A □□
	820	30	20	2050	LR821M080O200A □□
	820	30	25	2400	LR821M080O250A □□
	820	35	20	2550	LR821M080P200A □□
	1000	22	25	1850	LR102M080M250A □□
	1000	22	35	2200	LR102M080M350A □□
	1000	22	50	2600	LR102M080M500A □□
	1000	25	30	2150	LR102M080N300A □□
	1000	25	40	2600	LR102M080N400A □□
	1000	30	30	2600	LR102M080O300A □□
	1000	35	20	2100	LR102M080P200A □□
	1200	22	30	1950	LR122M080M300A □□
	1200	22	40	2450	LR122M080M400A □□
	1200	25	25	1900	LR122M080N250A □□
	1200	25	35	2300	LR122M080N350A □□
	1200	25	45	2850	LR122M080N450A □□
	1200	30	20	2000	LR122M080O200A □□
	1200	30	25	2400	LR122M080O250A □□
	1200	30	35	2800	LR122M080O350A □□
	1200	35	25	2950	LR122M080P250A □□
	1500	22	35	2150	LR152M080M350A □□
	1500	22	50	2600	LR152M080M500A □□
	1500	25	30	2100	LR152M080N300A □□
	1500	25	40	2650	LR152M080N400A □□
	1500	25	50	3300	LR152M080N500A □□
	1500	30	30	2650	LR152M080O300A □□
	1500	30	40	3200	LR152M080O400A □□
	1500	35	30	3250	LR152M080P300A □□
	1800	22	40	2350	LR182M080M400A □□
	1800	22	45	2700	LR182M080M450A □□
1800	25	45	2850	LR182M080N450A □□	
1800	30	25	2400	LR182M080O250A □□	
1800	30	35	2850	LR182M080O350A □□	
1800	30	45	3550	LR182M080O450A □□	

□□: See description at end of standard ratings

**STANDARD RATINGS**

$V_R$ (V)	$C_R$ ( $\mu$ F)	$\phi$ D (mm)	L (mm)	$I_r$ - Max. Ripple Current +85°C • 120Hz (mA rms)	CapXon Part Number
80	1800	35	20	2500	LR182M080P200A □□
	1800	35	25	3000	LR182M080P250A □□
	1800	35	35	3500	LR182M080P350A □□
	2200	25	35	2750	LR222M080N350A □□
	2200	25	50	3250	LR222M080N500A □□
	2200	30	30	2550	LR222M080O300A □□
	2200	30	40	3150	LR222M080O400A □□
	2200	30	50	4050	LR222M080O500A □□
	2200	35	30	3250	LR222M080P300A □□
	2200	35	40	3900	LR222M080P400A □□
	2700	30	35	2800	LR272M080O350A □□
	2700	30	45	3600	LR272M080O450A □□
	2700	35	25	3000	LR272M080P250A □□
	2700	35	35	3550	LR272M080P350A □□
	2700	35	45	4450	LR272M080P450A □□
	3300	25	50	3250	LR332M080N500A □□
	3300	30	40	3150	LR332M080O400A □□
	3300	30	50	4100	LR332M080O500A □□
	3300	35	30	3200	LR332M080P300A □□
	3300	35	40	3950	LR332M080P400A □□
	3300	35	50	5050	LR332M080P500A □□
	3900	30	45	3450	LR392M080O450A □□
	3900	35	35	3400	LR392M080P350A □□
	3900	35	45	4350	LR392M080P450A □□
4700	30	45	3850	LR472M080O450A □□	
4700	35	40	3750	LR472M080P400A □□	
4700	35	50	4850	LR472M080P500A □□	
5600	35	45	4100	LR562M080P450A □□	
6800	35	50	4650	LR682M080P500A □□	
100	680	22	25	1750	LR681M100M250A □□
	680	22	35	2150	LR681M100M350A □□
	680	22	45	2650	LR681M100M450A □□
	680	25	30	2100	LR681M100N300A □□
	680	25	35	2700	LR681M100N350A □□
	820	22	30	1850	LR821M100M300A □□
	820	22	40	2400	LR821M100M400A □□
	820	22	50	3000	LR821M100M500A □□
	820	25	25	1800	LR821M100N250A □□
	820	25	40	3000	LR821M100N400A □□
	820	30	20	1900	LR821M100O200A □□
	820	30	25	2350	LR821M100O250A □□
	820	35	20	2450	LR821M100P200A □□
	820	35	25	2850	LR821M100P250A □□
	1000	22	45	2700	LR102M100M450A □□

□□: See description at end of standard ratings

## STANDARD RATINGS

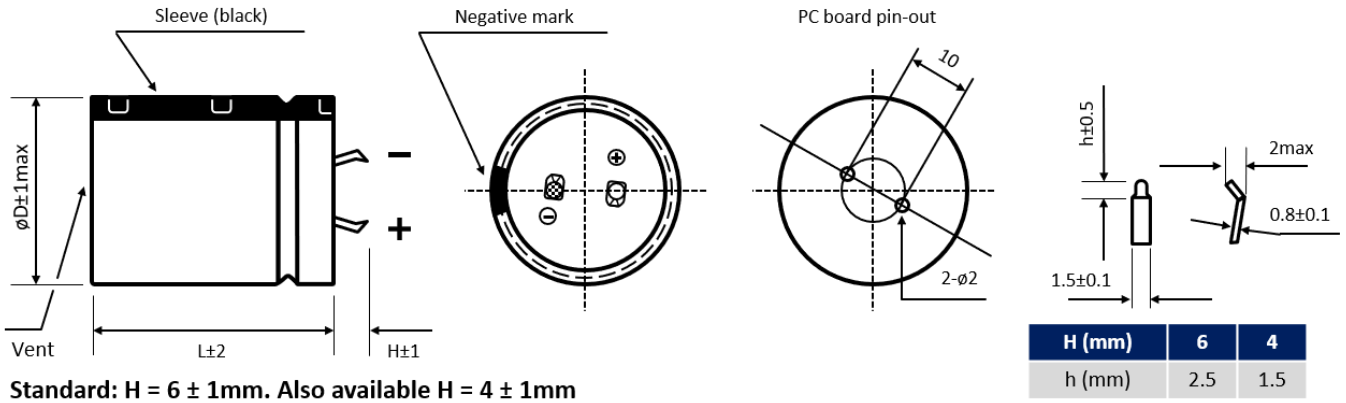
V <sub>R</sub> (V)	C <sub>R</sub> (μF)	∅ D (mm)	L (mm)	I <sub>r</sub> - Max. Ripple Current +85°C • 120Hz (mA rms)	CapXon Part Number
100	1000	25	35	2350	LR102M100N350A □□
	1000	25	40	3100	LR102M100N400A □□
	1000	25	50	2350	LR102M100N500A □□
	1000	30	30	3000	LR102M100O300A □□
	1000	30	35	3300	LR102M100O350A □□
	1000	35	30	3050	LR102M100P300A □□
	1200	22	40	2200	LR122M100M400A □□
	1200	22	50	3000	LR122M100M500A □□
	1200	25	30	2750	LR122M100N300A □□
	1200	30	25	2200	LR122M100O250A □□
	1200	30	30	3050	LR122M100O300A □□
	1200	30	40	3600	LR122M100O400A □□
	1200	35	20	2300	LR122M100P200A □□
	1200	35	25	2900	LR122M100P250A □□
	1200	35	35	3300	LR122M100P350A □□
	1500	22	45	2550	LR152M100M450A □□
	1500	25	35	3600	LR152M100N350A □□
	1500	25	50	3200	LR152M100N500A □□
	1500	30	35	3400	LR152M100O350A □□
	1500	30	50	3900	LR152M100O500A □□
	1500	35	30	3400	LR152M100P300A □□
	1500	35	40	3950	LR152M100P400A □□
	1800	22	50	2850	LR182M100M500A □□
	1800	25	40	2850	LR182M100N400A □□
	1800	30	30	2900	LR182M100O300A □□
	1800	30	40	3700	LR182M100O400A □□
	1800	35	25	2750	LR182M100P250A □□
	1800	35	35	3400	LR182M100P350A □□
	1800	35	45	4150	LR182M100P450A □□
	2200	25	45	3200	LR222M100N450A □□
	2200	30	35	3200	LR222M100O350A □□
	2200	30	50	3950	LR222M100O500A □□
	2200	35	30	3000	LR222M100P300A □□
	2200	35	40	3800	LR222M100P400A □□
	2200	35	50	4750	LR222M100P500A □□
	2700	30	40	3550	LR272M100O400A □□
	2700	35	35	3250	LR272M100P350A □□
	2700	35	45	4300	LR272M100P450A □□
	3300	30	50	3750	LR332M100O500A □□
	3300	35	50	4950	LR332M100P500A □□
3900	35	40	4300	LR392M100P400A □□	
4700	35	50	4500	LR472M100P500A □□	

□□: Enter **P6** for standard type ▪ 6mm pin length  
 □□: Enter **Z6** for 3-pin type ▪ 6mm pin length  
 □□: Enter **Y6** for multipin-type ▪ 6mm pin length

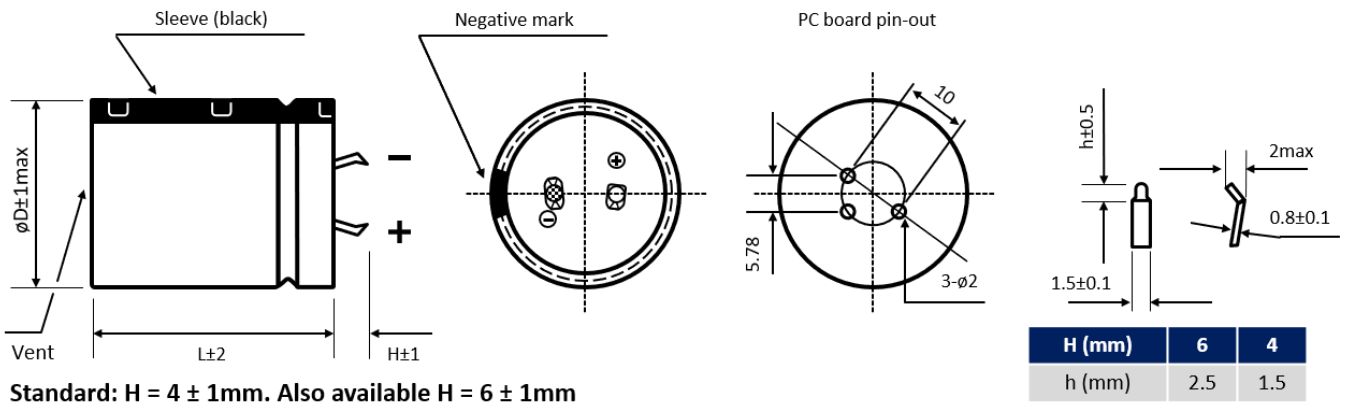
□□: Enter **P4** for standard type ▪ 4mm pin length  
 □□: Enter **Z4** for 3-pin type ▪ 4mm pin length  
 □□: Enter **Y4** for multipin type ▪ 4mm pin length

## DIMENSIONS • All dimensions in mm

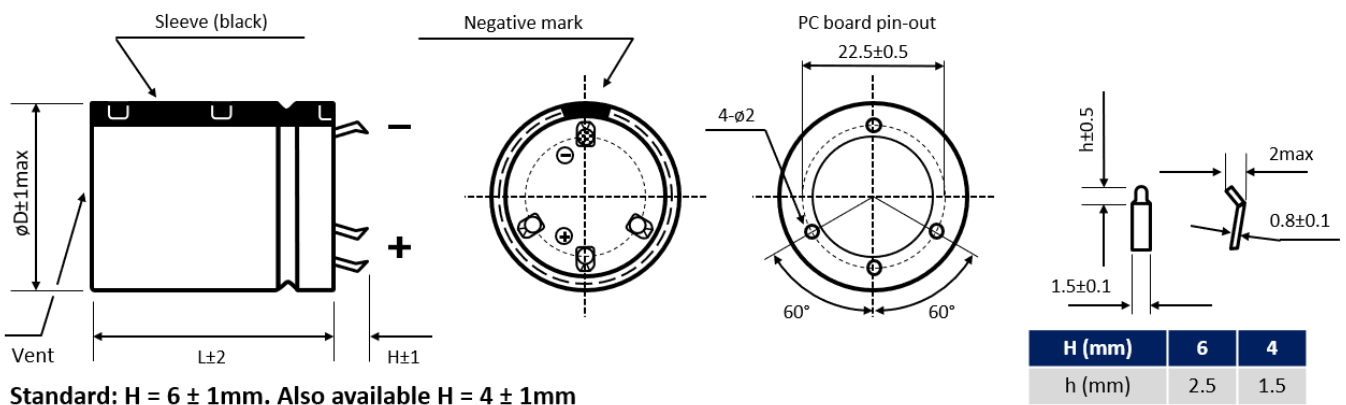
### 2-pin version • Standard type



### 3-pin version • Polarity protection



### Multipin version • Diameter $\phi D \geq 30$ mm







Further possible terminal styles can be found in our packaging information liquid snap-in.

**MULTIPLIER  $K_f$  for RIPPLE CURRENT vs. FREQUENCY**

$C_R$ ( $\mu$ F) / Frequency (Hz)	50/60	100/120	1k	10k	100k
$C_R \leq 100$	0.8	1	1.36	1.48	1.53
$> 100 < C_R \leq 1000$	0.8	1	1.25	1.35	1.38
$1000 \leq C_R$	0.8	1	1.17	1.25	1.28

**PRECAUTIONS, GUIDELINES AND PACKAGING INFORMATION**

Unless otherwise agreed in individual specifications, all products are subject to our “General Precautions and Guidelines” as well as our “Packaging Information”. Please refer to the following links in the table.

			
<a href="#">General Precautions &amp; Guidelines</a>	<a href="#">Packaging Information</a>	<a href="#">Vibration Test Profiles</a>	<a href="#">3D Models</a>

**DISCLAIMER**

All product related data (e.g. specification, statements and general information) are subject to change without any notice. It is necessary that the customer observes all product related technical / application information and handling instructions.

CapXon products are designed and manufactured according to severe quality and safety standards. Under no circumstance, CapXon warrants that any CapXon product is suitable for the purposes intended for your application, even CapXon knows the application. It is customer's duty and obligation to check and make sure that CapXon products are suitable for the purposes intended and select the correct and proper CapXon product. Customers are requested to perform a sufficient validation and reliability evaluation to assure needed safety level and reliability performance by suitable designs and to apply proper safeguards (e.g. redundancies, protective circuits).

Particular operating conditions (ambient temperature, ripple current, voltage, thermal resistance, etc.) as well as storage, production or assembly may affect the performance and the lifetime of the capacitor. Please consult CapXon for lifetime estimation, failure mode considerations or worst-case scenarios according to the product technology, product tolerances / deviations or change of the characteristics of the capacitor due to shipment, storage, handling, production and usage.

For aerospace or military application, life-saving, life-sustaining, safety critical applications or any application where failure may cause severe personal injury or death, please consult us before design-in the capacitor in your application.

Except for the written expressed warranties, CapXon does not impliedly, by assumption or whatever else, warrant, undertake, promise any other warranty or guaranty for any CapXon product.

For further information, please visit our website [www.capxongroup.com](http://www.capxongroup.com) or contact CapXon directly.